



RFCX Series Fiber Optic Rotary Adapter



www.princetel.com

Princetel, Inc.
4 Princess Rd Ste 209
Lawrenceville, NJ 08648
609.895.9890
fax 609.895.9552
info@princetel.com



RFCX Series Fiber Optic Rotary Adapter

Description

RFCX series Fiber optic rotary adapters (FORAs) are unique since they have the identical cross sections and mounting features as their standard adapter counterparts, sometimes also called bulkheads or mating sleeves. FORAs allow the fiber to rotate freely while maintaining uninterrupted transmission of optical signal. Princetel's FORAs can be pop-in replacement of FC bulkheads.

Princetel's design team borrowed the proprietary technology used in the MicroJx series FORJs to create the miniature rotary adapters. They are very rugged, sealed for dust and moisture, and can operate under temperature extremes. RFCX series FORAs feature extremely low insertion loss and unmatched return loss performance.

Specification

Wavelength range	635-1650 nm
Insertion loss	<2 dB
Insertion loss variation	<0.5 dB (typical: 0.3 dB)
Return loss (SM)	>40 dB
Maximum speed	2,000 rpm
Optical power handling	23 dBm
Working temperature	-40 to 65 C
Storage temperature	-50 to 85 C
Fiber types	Singlemode or multimode
Connector format	FC/UPC
Housing Material	Stainless steel
Weight	RFC: 19 g
Package type	Receptacle
Seal	Water and dust tight

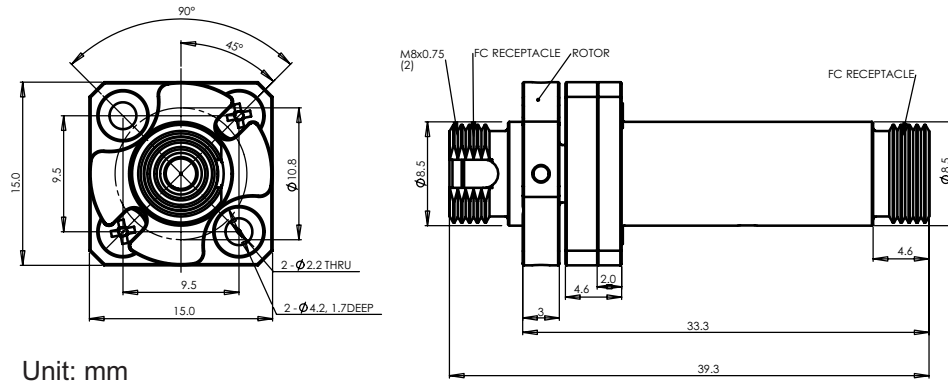
www.princetel.com

Princetel, Inc.
4 Princess Rd Ste 209
Lawrenceville, NJ 08648
609.895.9890
fax 609.895.9552
info@princetel.com



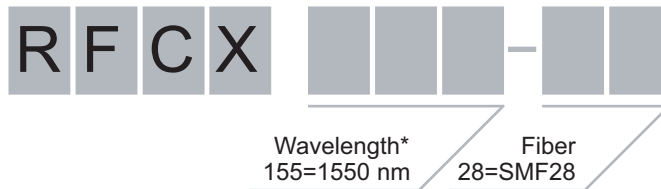
RFCX Series Fiber Optic Rotary Adapter

Mechanical



Unit: mm

Part Number



* For testing purpose only

Wavelength and Fiber Code

Wavelength	Fiber
165=1625 nm	28=CorningSMF28 (1290=1650 nm)
162=1625 nm	13=Fujikura SM13 PANDA fiber
159=1590 nm	15=Fujikura SM15 PANDA fiber
155=1550 nm	56=3M FS-SN5624 (980 nm)
153=1530 nm	42=3M FS-SN4224 (850 nm)
148=1480 nm	32=3M FS-SN3224 (635 nm)
131=1310 nm	50=50/125 multimode
980=980 nm	62=62.5/125 multimode
850=950 nm	10=100/125 multimode
780=780 nm	20=200/240 multimode
670=670 nm	40=400/425 multimode
650=650 nm	60=600/630 multimode
635=635 nm	01=1000 um Mitsubishi plastic

Princetel, Inc.
 4 Princess Rd Ste 209
 Lawrenceville, NJ 08648
 609.895.9890
 fax 609.895.9552
 info@princetel.com