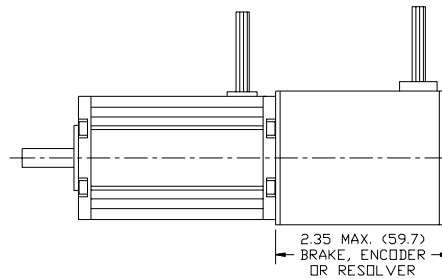


QB/QS01700 Series

MODEL NO.	"X"
QB01700	2.125 (54)
QB01701	2.625 (66.7)
QB01702	3.125 (79.4)
QB01703	3.625 (92.1)

FUNCTION	ENCODER LEAD	
	WITH COMMUTATION	LINE DRIVER ONLY
+5V	RED	RED
GROUND	BLACK	BLACK
CH. A	BLUE	GREEN
CH. B	GREEN	ORANGE
CH. A INV.	BLU/BLK	RED/BLK
CH. B INV.	GRN/BLK	WHT/BLK
INDEX	VIOLET	WHITE
INDEX INV.	VIO/BLK	BLUE
COMM U	BROWN	
COMM V	GRAY	
COMM. W	WHITE	



- ENCODER WITH INDEX AND LINE DRIVER.
200, 400, 500, 1000, 1024 LINE COUNT AVAILABLE.
OPTIONAL ENCODER WITH COMMUTATION CHANNELS.
- BRAKE: POWER-OFF FAILSAFE BRAKE, 24 VDC.
1 IN-LB MIN. HOLDING TORQUE.
- CONSULT FACTORY FOR RESOLVER SPECIFICATIONS.

LEADWIRE - TEFLON COATED

TYPE "E" PER MIL-W-16878/4

A) MOTOR: #24 AWG. RED(A),WHT(B),BLK(C)

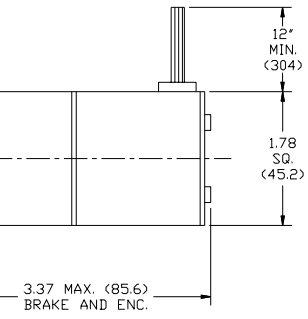
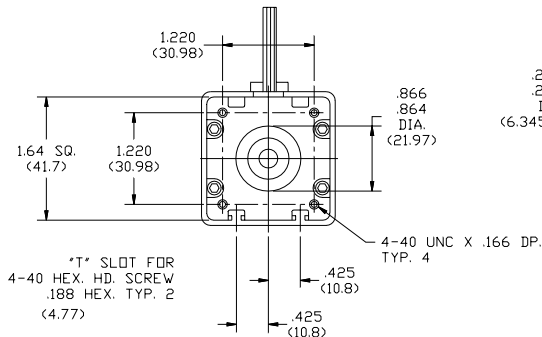
B) SENSOR: #28 AWG. BLU(+),BRN(A),ORG(B)

YEL(C),GRN(GRD)

ENCODER/BRAKE LEADS

ENC: 24 AWG. SHIELDED CABLE

BRAKE: 24 AWG. WHITE

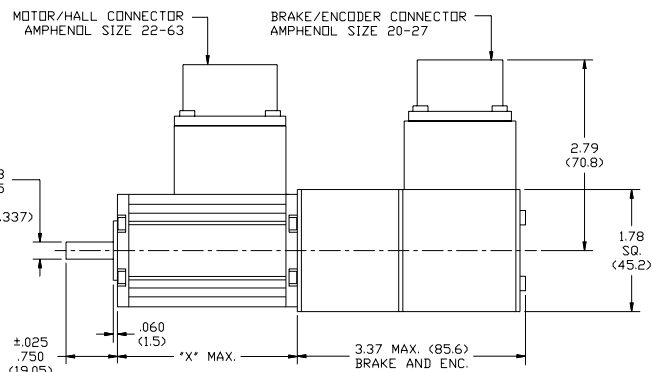
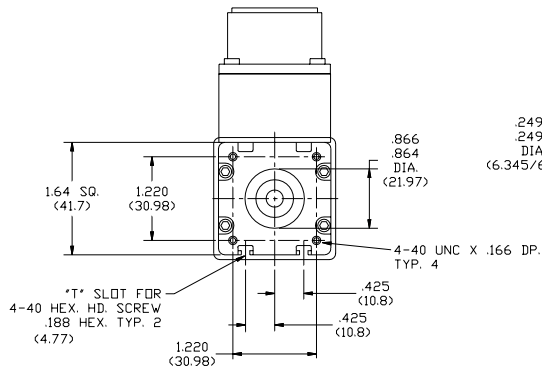
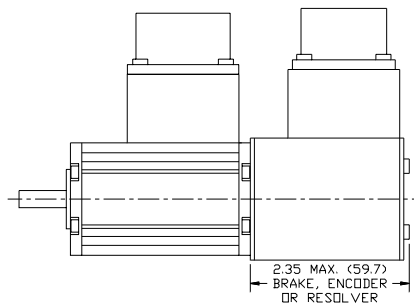


QB/QS01700 Series

MODEL NO.	"X"
QB01700	2.125 (54)
QB01701	2.625 (66.7)
QB01702	3.125 (79.4)
QB01703	3.625 (92.1)

22-63 CONNECTION		20-27 CONNECTION	
DESC.	PIN	DESC.	PIN
PHASE A	A	+5V	A
PHASE B	B	GRD.	B
PHASE C	C	CH. A	C
+ VDC	E	CH. B	D
GRD.	F	CH. A INV.	E
HALL A	H	CH. B INV.	F
HALL B	J	INDEX	G
HALL C	K	INDEX INV.	H
SHIELD (OPT)	N	COMM. U (OPT)	I
CASE GROUND (OPT)	D	COMM. V (OPT)	J
THERMAL SENSOR (OPT)	L	COMM. W (OPT)	K
THERMAL SENSOR (OPT)	M	SHIELD (OPT)	N
		BRAKE +	L
		BRAKE -	M

- ENCODER WITH INDEX AND LINE DRIVER.
200, 400, 500, 1000, 1024 LINE COUNT AVAILABLE.
OPTIONAL ENCODER WITH COMMUTATION CHANNELS
- BRAKE: POWER-OFF FAILSAFE BRAKE, 24 VDC.
1 IN-LB MIN. HOLDING TORQUE.
- CONSULT FACTORY FOR RESOLVER SPECIFICATIONS.



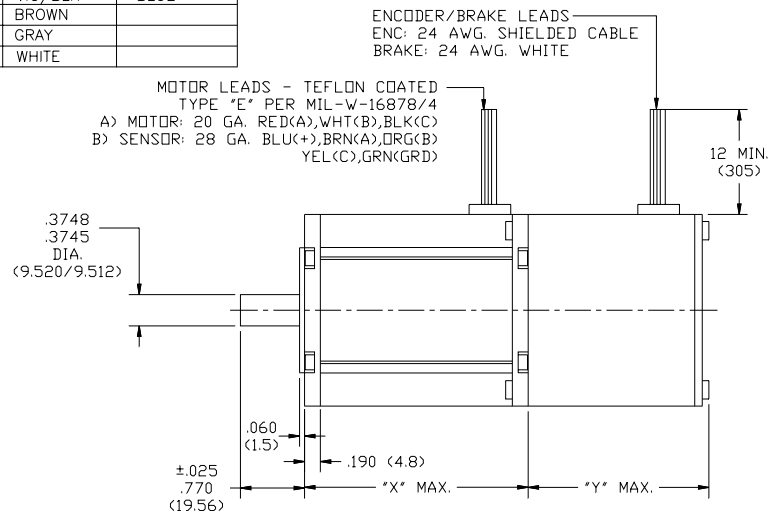
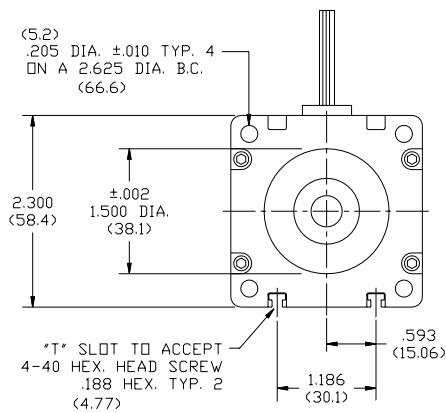
QB/QS02300 Series

MODEL NO.	"X"
QB02300	2.800 (71.12)
QB02301	3.550 (90.17)
QB02302	4.300 (109.22)
QB02303	5.050 (128.27)
QB02304	5.800 (147.3)

OPTION	"Y"
ENCODER	2.19 (55.6)
BRAKE	2.19 (55.6)
RESOLVER	2.19 (55.6)
BRAKE/ENC	3.19 (81)

ENCODER LEAD		
FUNCTION	WITH COMMUTATION	LINE DRIVER ONLY
+5V	RED	RED
GROUND	BLACK	BLACK
CH. A	BLUE	GREEN
CH. B	GREEN	ORANGE
CH. A INV.	BLU/BLK	RED/BLK
CH. B INV.	GRN/BLK	WHT/BLK
INDEX	VIOLET	WHITE
INDEX INV.	VIO/BLK	BLUE
COMM U	BROWN	
COMM V	GRAY	
COMM. W	WHITE	

- ENCODER, WITH INDEX AND LINE DRIVER.
200, 400, 500, 1000 AND 1024 LINE COUNT AVAILABLE.
OPTIONAL ENCODER WITH COMMUTATION CHANNELS.
- BRAKE: POWER-OFF FAILSAFE BRAKE, 24 VDC.
5 IN-LB AND 10 IN-LB HOLDING TORQUE AVAILABLE.
- CONSULT FACTORY FOR RESOLVER SPECIFICATIONS.



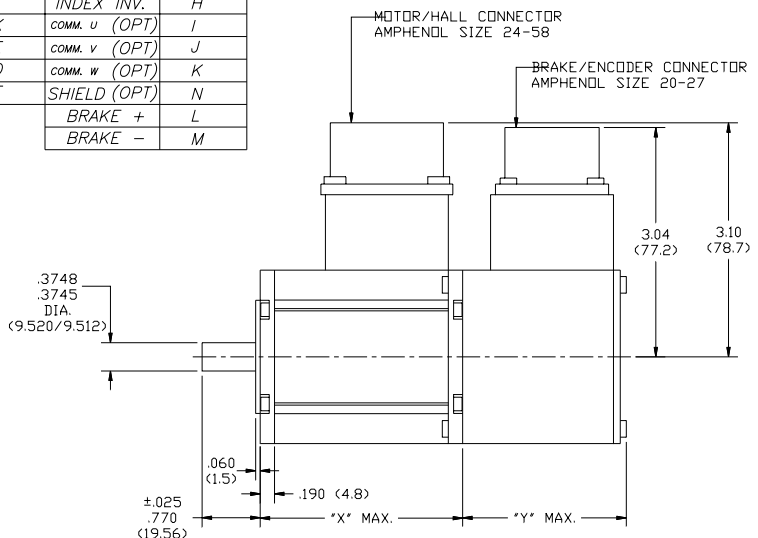
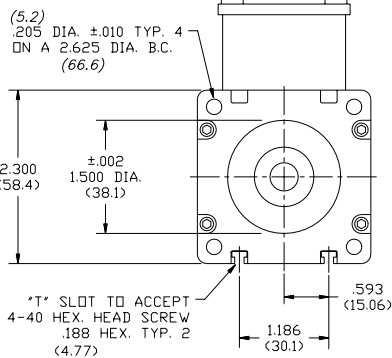
QB/QS02300 Series

MODEL NO.	"X"
QB02300	2.800 (71.12)
QB02301	3.550 (90.17)
QB02302	4.300 (109.22)
QB02303	5.050 (128.27)
QB02304	5.800 (147.3)

OPTION	"Y"
ENCODER	2.19 (55.6)
BRAKE	2.19 (55.6)
RESOLVER	2.19 (55.6)
BRAKE/ENC	3.19 (81)

24-58 CONNECTION		20-27 CONNECTION	
DESC.	PIN	DESC.	PIN
PHASE A	A	+5V	A
PHASE B	B	GRD.	B
PHASE C	C	CH. A	C
+ VDC	M	CH. B	D
GRD.	N	CH. A INV.	E
HALL A	P	CH. B INV.	F
HALL B	H	INDEX	G
HALL C	J	INDEX INV.	H
SHIELD	K	COMM. U (OPT)	I
CASE GROUND (OPT)	E	COMM. V (OPT)	J
THERMAL SENSOR (OPT)	D	COMM. W (OPT)	K
THERMAL SENSOR (OPT)	F	SHIELD (OPT)	N
		BRAKE +	L
		BRAKE -	M

- ENCODER, WITH INDEX AND LINE DRIVER.
200, 400, 500, 1000 AND 1024 LINE COUNT AVAILABLE.
OPTIONAL ENCODER WITH COMMUTATION CHANNELS.
- BRAKE: POWER-OFF FAILSAFE BRAKE, 24 VDC.
5 IN-LB AND 10 IN-LB HOLDING TORQUE AVAILABLE.
- CONSULT FACTORY FOR RESOLVER SPECIFICATIONS.



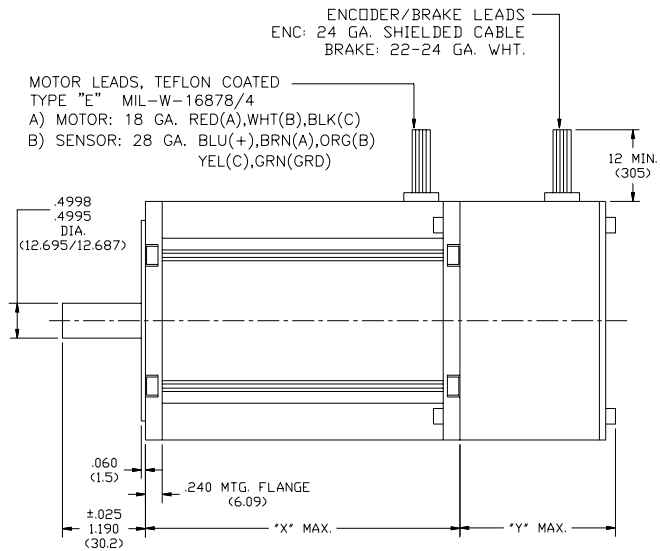
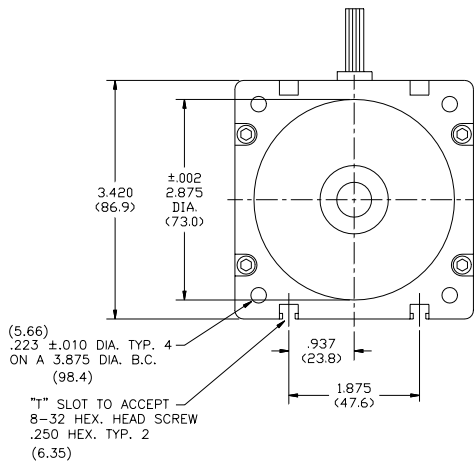
QB/QS03400 Series

MODEL NO.	"x"
QB03400	3.01 (76.5)
QB03401	3.76 (95.5)
QB03402	4.51 (114.6)
QB03403	5.26 (133.6)

OPTION	"y"
ENCODER	2.26 (57.4)
BRAKE	2.26 (57.4)
RESOLVER	2.26 (57.4)
BRAKE/ENC.	2.96 (75.2)

ENCODER LEAD		
FUNCTION	WITH COMMUTATION	LINE DRIVER ONLY
+5V	RED	RED
GROUND	BLACK	BLACK
CH. A	BLUE	GREEN
CH. B	GREEN	ORANGE
CH. A INV.	BLU/BLK	RED/BLK
CH. B INV.	GRN/BLK	WHT/BLK
INDEX	VIOLET	WHITE
INDEX INV.	VIO/BLK	BLUE
COMM U	BROWN	
COMM V	GRAY	
COMM. W	WHITE	

- ENCODER WITH INDEX AND LINE DRIVER.
200, 400, 500, 1000 AND 1024 LINE COUNTS AVAILABLE.
OPTIONAL ENCODER WITH COMMUTATION CHANNELS.
- BRAKE: POWER-OFF FAILSAFE BRAKE, 24 VDC.
5 IN-LB, 10 IN-LB AND 40 IN-LB HOLDING TORQUE AVAILABLE.
- CONSULT FACTORY FOR RESOLVER SPECIFICATIONS.



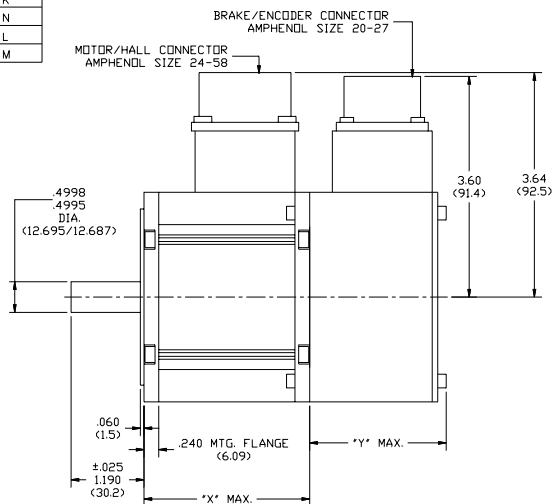
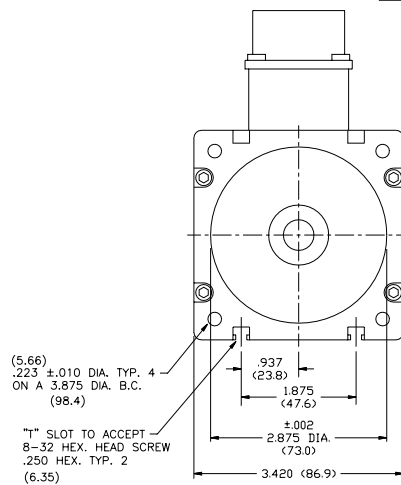
QB/QS03400 Series

MODEL NO.	LENGTH "x"
QB03400	3.01 (76.5)
QB03401	3.76 (95.5)
QB03402	4.51 (114.6)
QB03403	5.26 (133.6)

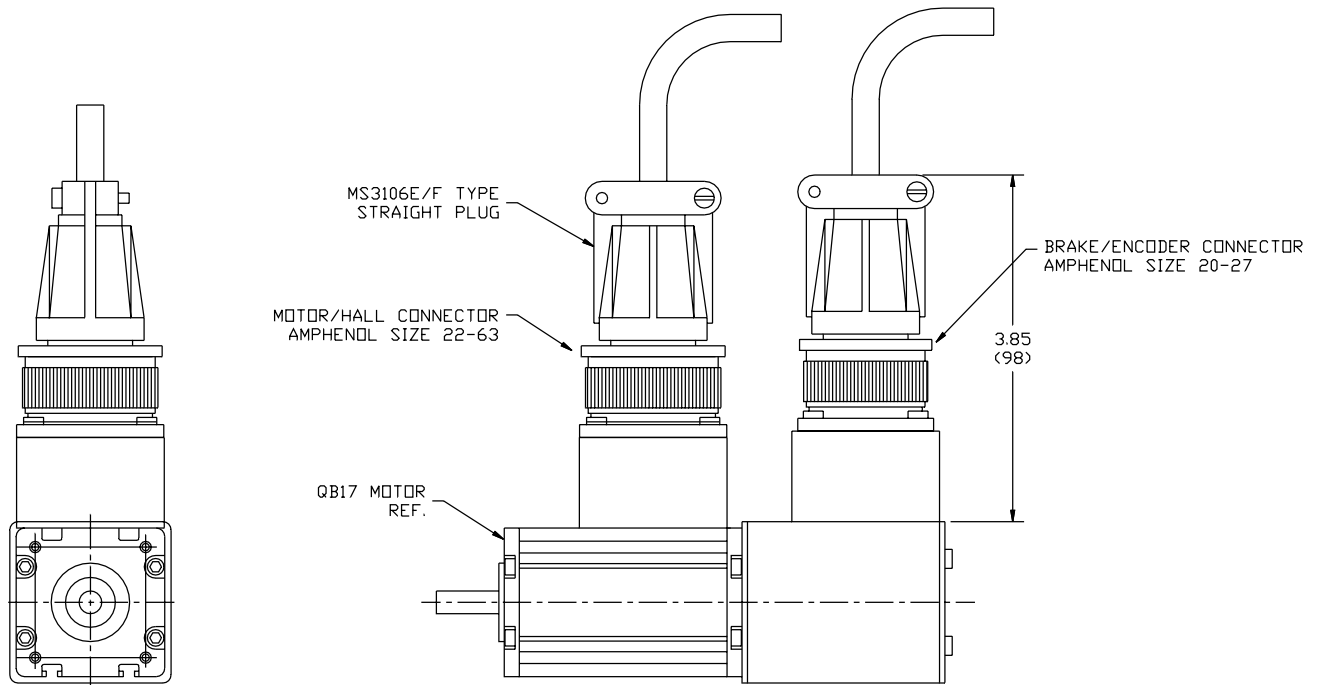
OPTION	LENGTH "y"
ENCODER	2.26 (57.4)
BRAKE	2.26 (57.4)
RESOLVER	2.26 (57.4)
BRAKE/ENC.	2.96 (75.2)

24-58 CONNECTION		20-27 CONNECTION	
DESC.	PIN	DESC.	PIN
PHASE A	A	+ 5V	A
PHASE B	B	GRD.	B
PHASE C	C	CH. A	C
+ VDC	M	CH. B	D
GRD.	N	CH. A INV.	E
HALL A	P	CH. B INV.	F
HALL B	H	INDEX	G
HALL C	J	INDEX INV.	H
SHIELD (OPT)	K	COMM. U (OPT)	I
CASE GROUND (OPT)	E	COMM. V (OPT)	J
THERMAL SENSOR (OPT)	D	COMM. W (OPT)	K
THERMAL SENSOR (OPT)	F	SHIELD (OPT)	N
BRAKE +	L		
BRAKE -	M		

- ENCODER, WITH INDEX AND LINE DRIVER.
200, 400, 500, 1000 AND 1024 LINE COUNT AVAILABLE.
OPTIONAL ENCODER WITH COMMUTATION CHANNELS.
- BRAKE: POWER-OFF FAILSAFE BRAKE, 24 VDC.
5 IN-LB, 10 IN-LB AND 40 IN-LB HOLDING TORQUE AVAILABLE.
- CONSULT FACTORY FOR RESOLVER SPECIFICATIONS.



QB/QS01700 Series



QB/QS02300/3400 Series

