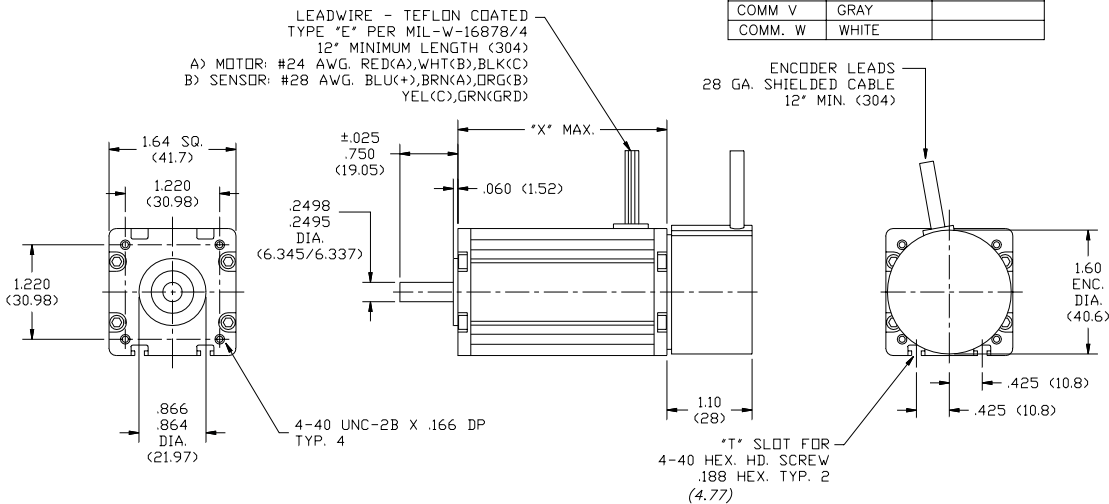


QB/QS01700 Series

1. ENCODER WITH INDEX AND LINE DRIVER.
200, 400, 500, 1000, 1024 LINE COUNT AVAILABLE.
OPTIONAL ENCODER WITH COMMUTATION CHANNELS.

MODEL	LENGTH "X"
QB01700	2.125 (54.0)
QB01701	2.625 (66.7)
QB01702	3.125 (79.4)
QB01703	3.625 (92.1)

ENCODER LEAD		
FUNCTION	WITH COMMUTATION	LINE DRIVER ONLY
+5V	RED	RED
GROUND	BLACK	BLACK
CH. A	BLUE	GREEN
CH. B	GREEN	ORANGE
CH. A INV.	BLU/BLK	RED/BLK
CH. B INV.	GRN/BLK	WHT/BLK
INDEX	VIOLET	WHITE
INDEX INV.	VIO/BLK	BLUE
COMM U	BROWN	
COMM V	GRAY	
COMM. W	WHITE	

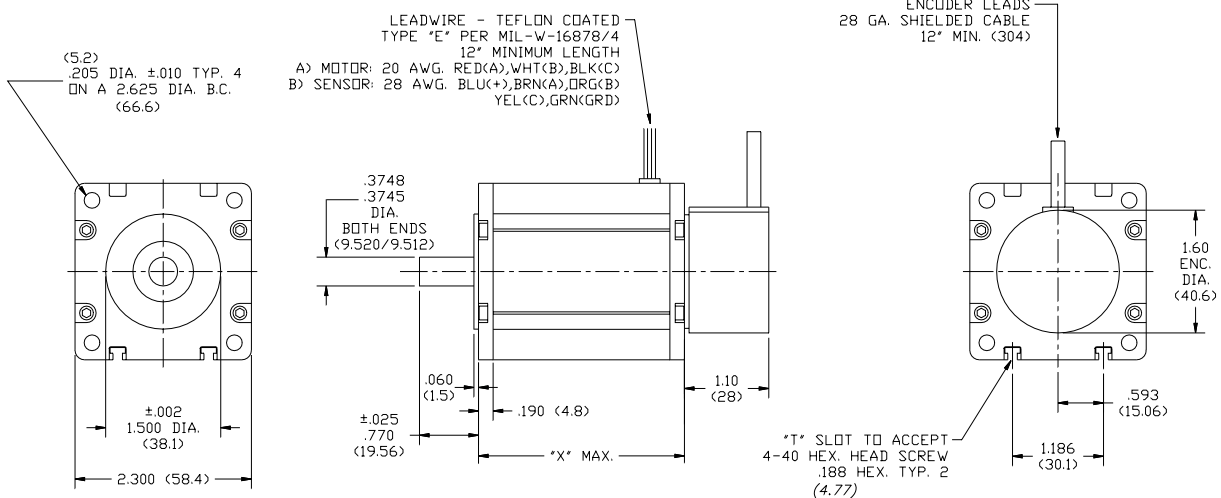


QB/QS02300 Series

1. ENCODER WITH INDEX AND LINE DRIVER.
200, 400, 500, 1000, 1024 LINE COUNT AVAILABLE.
OPTIONAL ENCODER WITH COMMUTATION CHANNELS.

MODEL NO.	"X"
QB02300	2.800 (71.12)
QB02301	3.550 (90.17)
QB02302	4.300 (109.22)
QB02303	5.050 (128.27)

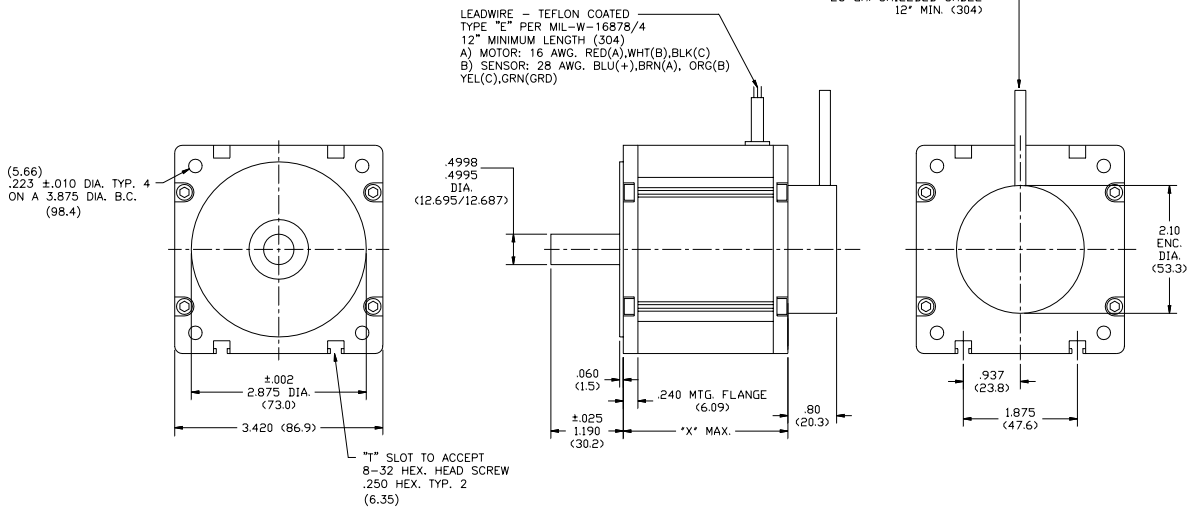
ENCODER LEAD		
FUNCTION	WITH COMMUTATION	LINE DRIVER ONLY
+5V	RED	RED
GROUND	BLACK	BLACK
CH. A	BLUE	GREEN
CH. B	GREEN	ORANGE
CH. A INV.	BLU/BLK	RED/BLK
CH. B INV.	GRN/BLK	WHT/BLK
INDEX	VIOLET	WHITE
INDEX INV.	VIO/BLK	BLUE
COMM U	BROWN	
COMM V	GRAY	
COMM. W	WHITE	



QB/QS03400 Series

MODEL NO.	LENGTH "X"	ENCODER LEAD		
		FUNCTION	WITH COMMUTATION	LINE DRIVER ONLY
QB03400	3.01 (76.5)	+5V	RED	RED
QB03401	3.76 (95.5)	GROUND	BLACK	BLACK
QB03402	4.51 (114.6)	CH. A	BLUE	GREEN
QB03403	5.26 (133.6)	CH. B	GREEN	ORANGE
		CH. A INV.	BLU/BLK	RED/BLK
		CH. B INV.	GRN/BLK	WHT/BLK
		INDEX	VIOLET	WHITE
		INDEX INV.	VIO/BLK	BLUE
		COMM U	BROWN	
		COMM V	GRAY	
		COMM W	WHITE	

1. ENCODER WITH INDEX AND LINE DRIVER.
500, 1000, 1024, 2000 AND 2048 LINE COUNT AVAILABLE.
OPTIONAL ENCODER WITH COMMUTATION CHANNELS.



Encoder Connections

ENCODER TERMINATION			
FUNCTION	WITH COMMUTATION	LINE DRIVER ONLY	CONNECTOR
+5V	RED	RED	PIN 1
GROUND	BLACK	BLACK	PIN 10
CH. A	BLUE	GREEN	PIN 4
CH. B	GREEN	ORANGE	PIN 6
CH. A INV.	BLU/BLK	RED/BLK	PIN 3
CH. B INV.	GRN/BLK	WHT/BLK	PIN 5
INDEX	VIOLET	WHITE	PIN 7
INDEX INV.	VIO/BLK	BLUE	PIN 9
COMM U	BROWN		
COMM V	GRAY		
COMM. W	WHITE		

1. ENCODER WITH INDEX AND LINE DRIVER.
OPTIONAL ENCODER WITH COMMUTATION CHANNELS.
LINE COUNTS AVAILABLE:
SIZE 15: 200, 400, 500, 1000, 1024
SIZE 21: 500, 1000, 1024, 2000, 2048

