

- NOTES:
- FOR A CCW ROTATION, AS VIEWED FROM LEAD END, ENERGIZE PER EXCITATION SEQUENCE BELOW.
 - MOTOR SUPPLIED AS TWO SEPARATE COMPONENTS, ARMATURE ASSEMBLY AND FIELD ASSEMBLY.
 - MINIMUM MOUNTING SURFACE FROM 220.98 [8.700] TO 229.87 [9.050] BOTH SIDES.
 - DIMENSIONS IN BRACKETS [] ARE ENGLISH UNITS FOR REFERENCE ONLY.
 - NO ANGULAR RELATIONSHIP BETWEEN MOUNTING HOLES ON EITHER SIDE OF ROTOR.
 - RoHS (DIRECTIVE 2002/95/EC AND AMMENDMENTS) COMPLIANCE REQUIRED.

MOTOR LEADS :
 #14 AWG, TEFLON INSULATED, U.L. 1199
 3 LEADS, 400 MM [15.75"] MIN
 1- BLUE 1- BROWN 1- VIOLET

THERMISTOR LEADS :
 #26 AWG, TEFLON INSULATED
 2 LEADS, 400 MM [15.75"] MIN
 1- BLUE 1- RED

REVISION				
REV	ECN NO.	DESCRIPTION	DATE	APPROVED

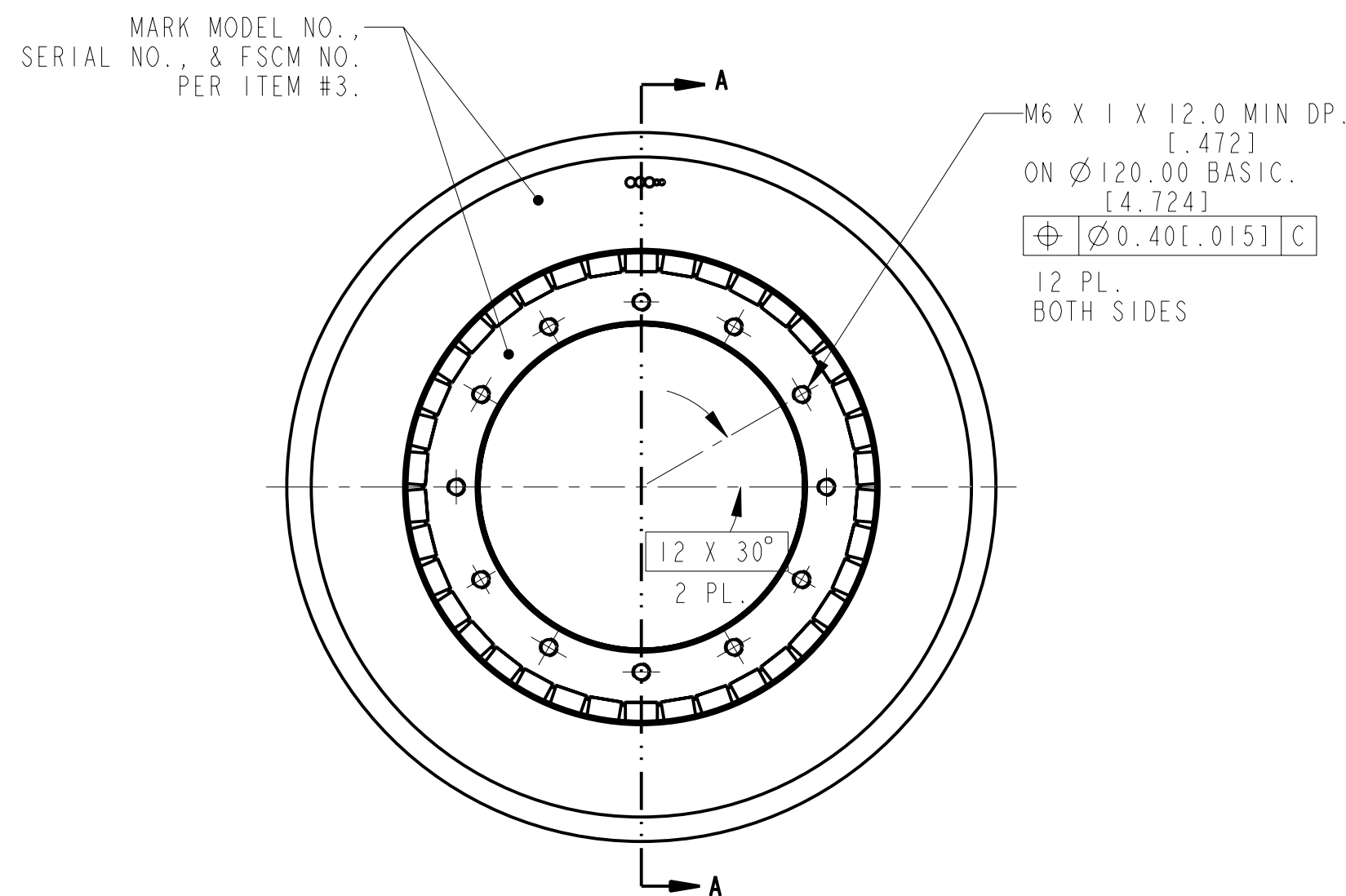
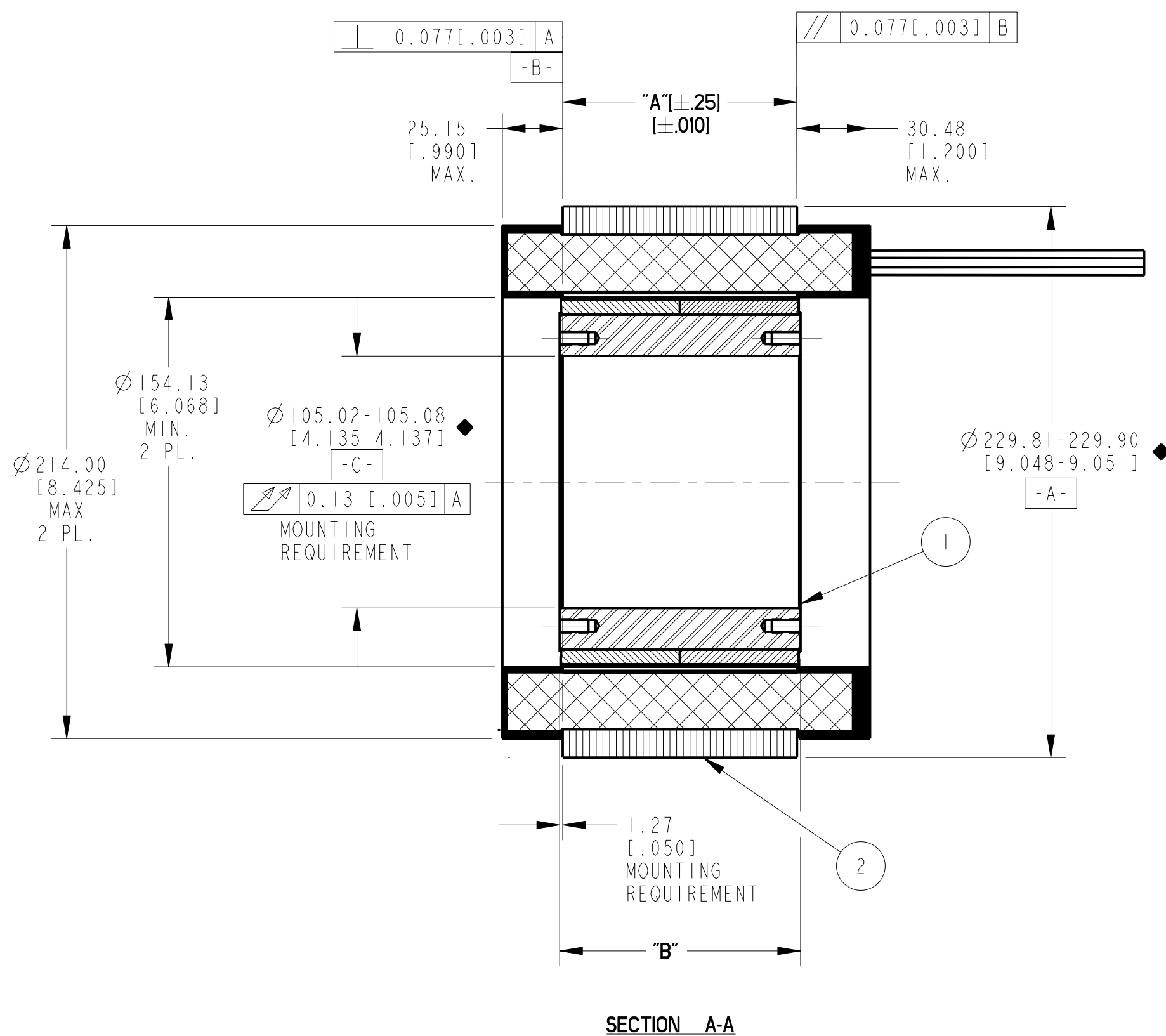


TABLE - 1

MODEL NUMBER	ARMATURE ASSY H.V. INSULATION	ARMATURE ASSY STD. INSULATION	FIELD ASSY	DIM "A"	DIM "B"
KBM-60X01	946126/01X	946195/01X	946127/01	48.11 [1.894]	50.88 [2.003]
KBM-60X02	946126/02X	946195/02X	946127/02	97.71 [3.847]	100.48 [3.956]
KBM-60X03	946126/03X	946195/03X	946127/03	147.32 [5.800]	150.09 [5.909]

POWER CONNECTION

STEP	PHASE "U" BLUE	PHASE "V" BROWN	PHASE "W" VIOLET
1	+	-	
2	+		-
3		+	-
4	-	+	
5	-		+
6		-	+

EXCITATION SEQUENCE TABLE

THIS DOCUMENT IS ONLY FOR USE BY THE INTENDED RECIPIENT AND CONTAINS KOLLMORGEN CONFIDENTIAL INFORMATION

Pro/E Instance Name: KBM60.OUTLINE.946125
 Pro/E Drawing Name: 946125
 Pro/E Model Type: ASSEM
 Pro/Engineer Drawing

THIRD ANGLE PROJECTION

METRIC DRAWING

UNLESS OTHERWISE SPECIFIED: REMOVE ALL SHARP BURRS AND BREAK ALL SHARP EDGES. X DECIMAL PLACES ±.4 [0.015]. XX DECIMAL PLACES ±.13 [0.005]. ANGULAR DIMENSIONS ±1°.

DO NOT SCALE DRAWING. USE DIMENSIONS ONLY. ALL DIMENSIONS ARE IN MILLIMETERS. DIMENSIONS IN BRACKETS [] ARE IN INCHES AND ARE FOR REFERENCE ONLY.

INTERPRET GEOMETRIC SYMBOLS PER ANSI Y14.5M-1982

3	AR	IM-2709	MARKING PROCEDURE
2	I	SEE TABLE	ARMATURE ASSY
1	I	SEE TABLE	FIELD ASSEMBLY
ITEM	QTY	IDENTIFYING NO.	DESCRIPTION

LIST OF PARTS

KOLLMORGEN
 Inland Motor

INLAND MOTOR
 501 FIRST STREET
 RADFORD, VIRGINIA 24141

OUTLINE
 KBM-60XXX-X00

SCALE: 0.500 JOB NO.: SHEET 1 OF 1

FSCM 11384 SIZE C DWG. NO. 946125 REV -

DATE: 22-May-09 DATE: 17-Sep-09 DATE: 17-Sep-09

DWG. NO. 946125