

NOTES:

1. FOR A.C.C.W. ROTATION, AS VIEWED FROM LEAD END, ENERGIZE PER EXCITATION SEQUENCE BELOW.
2. MOTOR SUPPLIED AS TWO SEPERATE COMPONENTS, ARMATURE ASSY AND FIELD ASSY.
3. MINIMUM MOUNTING SURFACE FROM 196.85 [7.750] TO 202.94 [7.990] BOTH SIDES.
4. DIMENSIONS IN BRACKETS [] ARE ENGLISH UNITS FOR REFERENCE ONLY.
5. NO ANGULAR RELATIONSHIP BETWEEN MOUNTING HOLES ON EITHER SIDE OF ROTOR.
6. RoHS (DIRECTIVE 2002/95/EC AND AMMENDMENTS) COMPLIANCE REQUIRED.

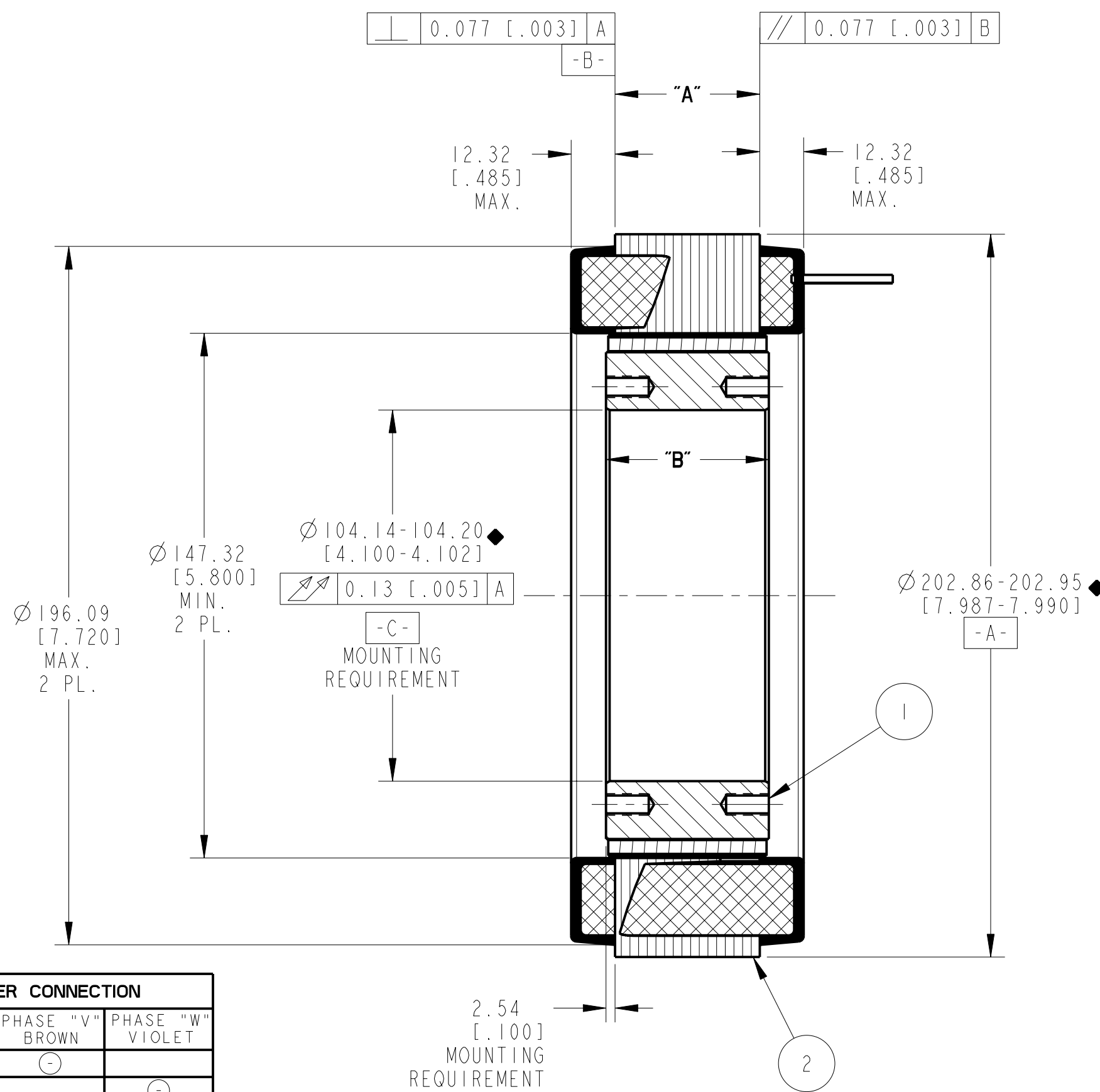
MOTOR LEADS:

#16 AWG, TEFLON INSULATED, U.L. 1199
 3 LEADS, 400MM [15.75"] MIN
 1-BLUE, 1-BROWN & 1-VIOLET

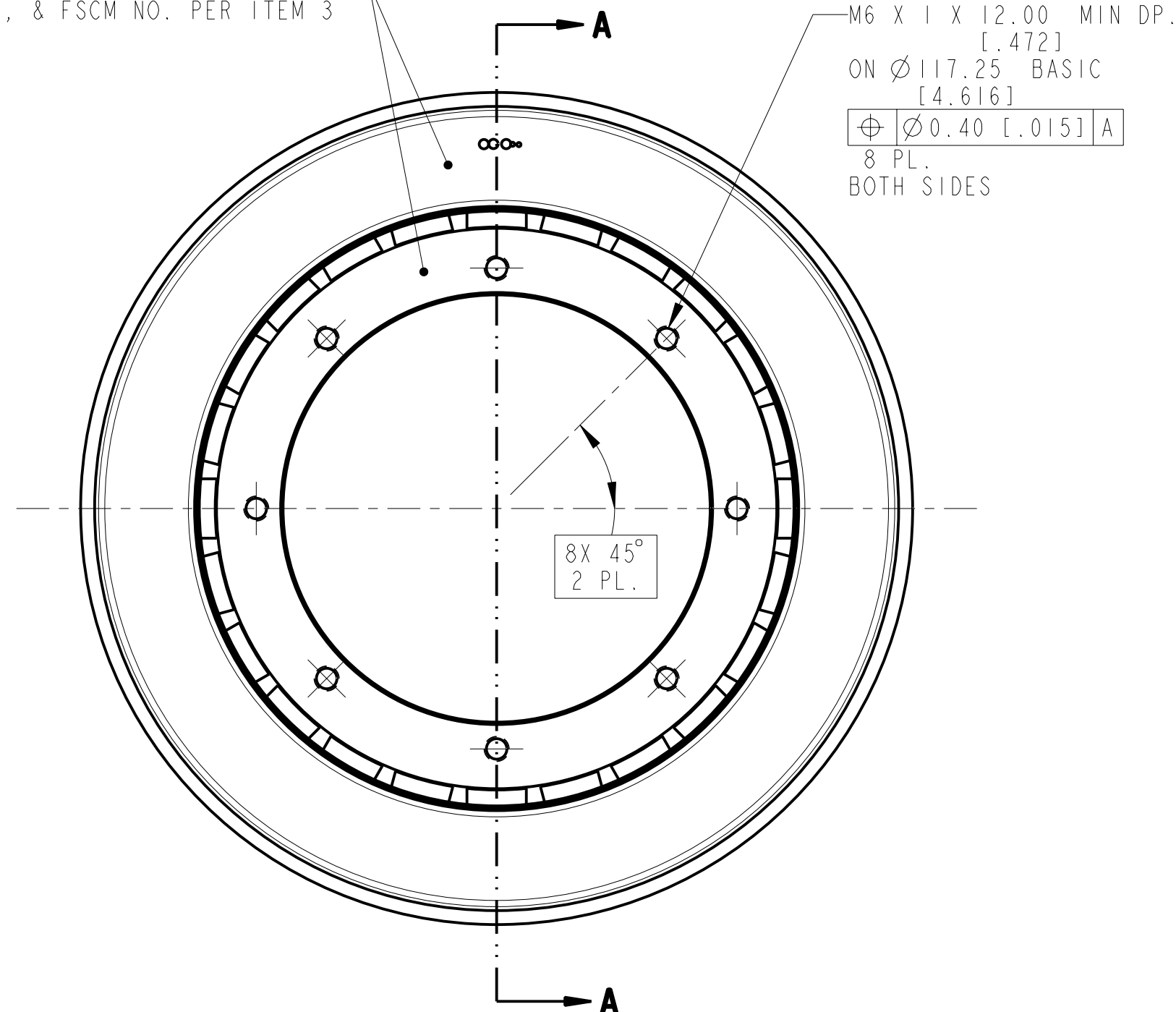
THERMISTOR LEADS:

#26 AWG, TEFLON INSULATED,
 2 LEADS, 400MM [15.75"] MIN
 1-BLUE 1-RED

REVISION				
REV	ECN NO.	DESCRIPTION	DATE	APPROVED



MARK MODEL NO., SERIAL NO., & FSCM NO. PER ITEM 3



POWER CONNECTION			
STEP	PHASE "U" BLUE	PHASE "V" BROWN	PHASE "W" VIOLET
1	+	-	
2	+		-
3		+	-
4	-	+	
5	-		+
6		-	+

EXCITATION SEQUENCE TABLE

2.54 [0.100]
MOUNTING
REQUIREMENT

SECTION A-A

THIS DOCUMENT IS ONLY FOR USE BY THE INTENDED RECIPIENT AND CONTAINS KOLLMORGEN CONFIDENTIAL INFORMATION

Pro/E Instance Name KBM57.00LINE.946411

Pro/E Drawing Name 946411

Pro/E Model Type ASSEM

Pro/Engineer Drawing

TABLE 1					
MODEL NUMBER	ARMATURE ASSY H.V. INSULATION	ARMATURE ASSY STD. INSULATION	FIELD ASSEMBLY	DIM "A"	DIM "B"
KBM-57X01	946412/01X	946413/01X	946414/01	20.32 [0.800]	25.40 [1.000]
KBM-57X02	946412/02X	946413/02X	946414/02	40.64 [1.600]	45.72 [1.800]
KBM-57X03	946412/03X	946413/03X	946414/03	81.79 [3.220]	86.36 [3.400]

3	AR	IM-2709	MARKING PROCEDURE
2	I	SEE TABLE	ARMATURE ASSEMBLY
1	I	SEE TABLE	FIELD ASSEMBLY
ITEM	QTY	IDENTIFYING NO.	DESCRIPTION



METRIC DRAWING

SIGNIFICANT PRODUCT CHARACTERISTIC

CRITICAL PRODUCT CHARACTERISTIC

UNLESS OTHERWISE SPECIFIED:
 REMOVE ALL SHARP BURRS AND
 BREAK ALL SHARP EDGES
 X DECIMAL PLACES ±.4 [0.015]
 XX DECIMAL PLACES ±.13 [0.005]
 ANGULAR DIMENSIONS ±1°

DO NOT SCALE DRAWING, USE DIMENSIONS ONLY
 ALL DIMENSIONS ARE IN MILLIMETERS
 DIMENSIONS IN BRACKETS [] ARE IN INCHES
 AND ARE FOR REFERENCE ONLY.

INTERPRET GEOMETRIC SYMBOLS
 PER ANSI Y14.5M-1982

LIST OF PARTS

KOLLMORGEN
 Inland Motor
 INLAND MOTOR
 501 FIRST STREET
 RADFORD, VIRGINIA 24141

OUTLINE
 KBM-57XXX-X00

DATE: 01-Jul-09	DATE: 16-Sep-09	DATE: 16-Sep-09	FSCM	SIZE	DWG. NO.	REV
DRWN BY: L&T	CHEK BY: LW	APPR BY: AG	11384	C	946411	-
SCALE: 0.750	JOB NO.:	SHEET 1 OF 1				

DWG. NO. 946411