

4

3

2

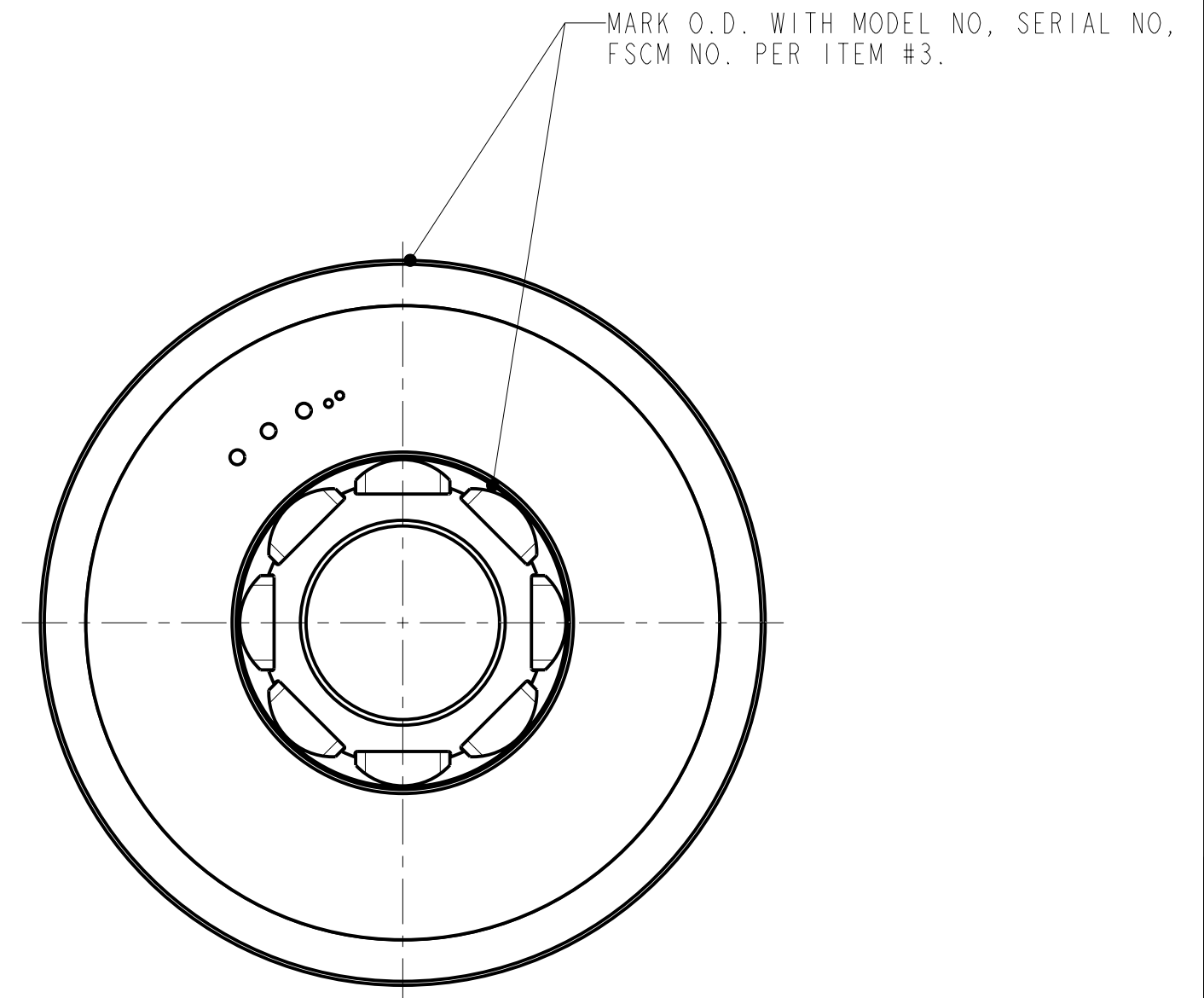
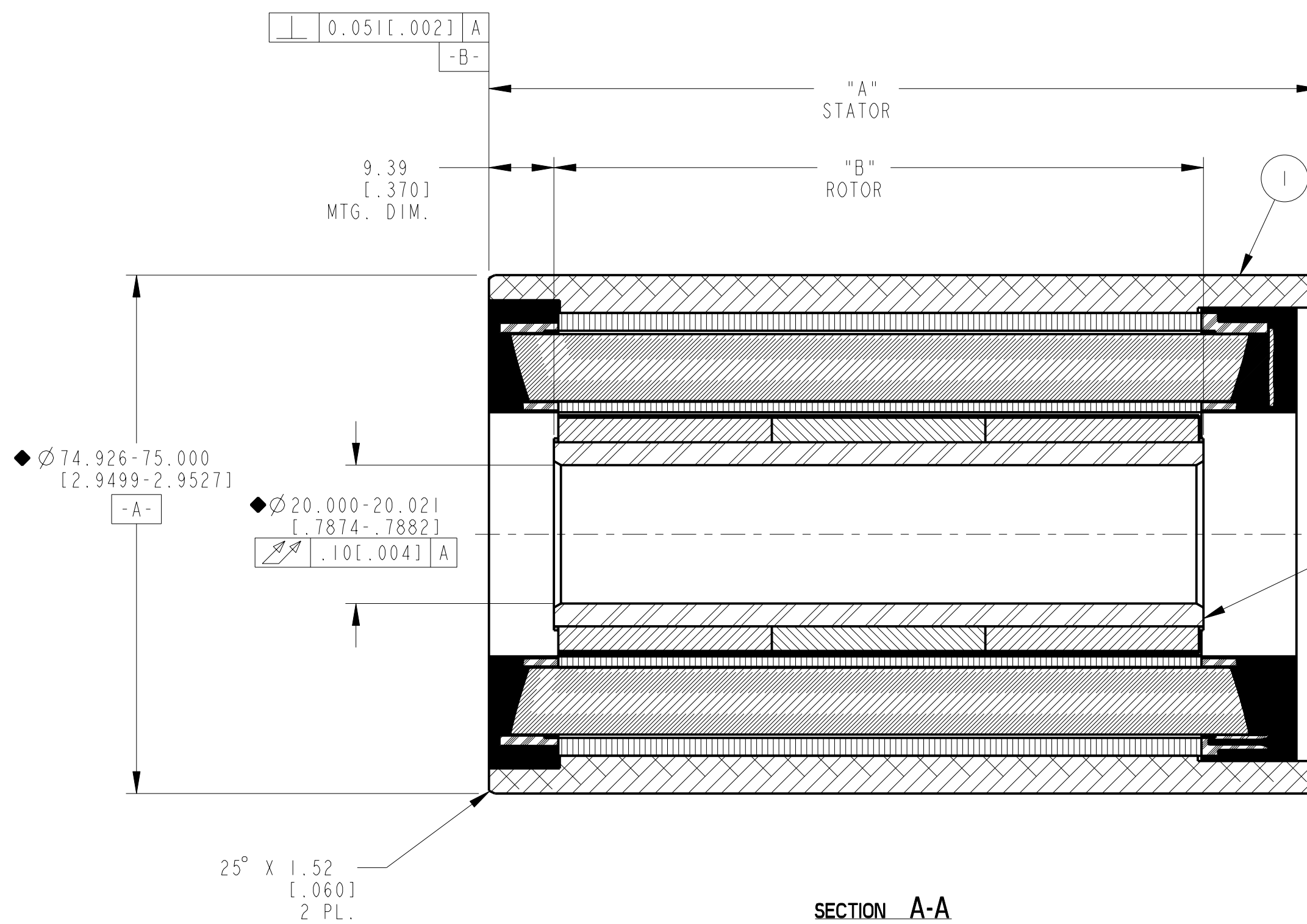
1

NOTES:  
 1- MOTOR SUPPLIED AS TWO SEPERATE COMPONENTS, STATOR ASSEMBLY AND FIELD ASSEMBLY.  
 2- FOR A C.C.W. ROTATION, AS VIEWED FROM LEAD END, ENERGIZE PER EXCITATION SEQUENCE TABLE.  
 3- RoHS (DIRECTIVE 2002/95/EC AND AMMENDMENTS) COMPLIANCE REQUIRED.

THERMISTOR LEADS:  
 #26 AWG TEFLON COATED  
 UL RATED 600V, 150°C MIN,  
 400.00 [15.75"] MIN. LG.  
 EACH 1-BLUE, 1-BLACK

MOTOR LEADS:  
 #18 AWG TEFLON COATED PER  
 UL 10086, 400.00 [15.75"] MIN. LG.  
 EACH 1-BLUE, 1-BROWN, 1-VIOLET

REVISION				
REV	ECN NO.	DESCRIPTION	DATE	APPROVED



SECTION A-A

MODEL NUMBER	STATOR SEE BOM	FIELD ASSEMBLY	"A" DIM	"B" DIM
KBM-14X01	945801/01X	945799/01	58.00 [2.283]	32.16 [1.266]
KBM-14X02	945801/02X	945799/02	89.00 [3.504]	63.04 [2.482]
KBM-14X03	945801/03X	945799/03	120.00 [4.724]	93.93 [3.698]

STEP	PHASE "U" BLUE	PHASE "V" BROWN	PHASE "W" VIOLET
1	+	-	
2	+		-
3		+	-
4	-	+	
5	-		+
6		-	+

EXCITATION SEQUENCE TABLE

THIS DOCUMENT IS ONLY FOR USE BY THE INTENDED RECIPIENT AND CONTAINS KOLLMORGEN CONFIDENTIAL INFORMATION

Pro/E Instance Name	KBM_14XXX_945804
Pro/E Drawing Name	945804
Pro/E Model Type	ASSEM
Pro/Engineer Drawing	



METRIC DRAWING

<p>DO NOT SCALE DRAWING, USE DIMENSIONS ONLY          ALL DIMENSIONS ARE IN MILLIMETERS          DIMENSIONS IN BRACKETS [ ] ARE IN INCHES          AND ARE FOR REFERENCE ONLY.</p>	<p>DRW'N BY: L&amp;T DATE: 03-Apr-09          CHECKED BY: LW DATE: 17-Sep-09          APPROVED BY: AG DATE: 17-Sep-09</p>
<p>SIGNIFICANT PRODUCT CHARACTERISTIC</p>	<p>CRITICAL PRODUCT CHARACTERISTIC</p>

3	AR	IM-2709	MARKING PROCEDURE
2	I	SEE TABLE 1	FIELD ASSEMBLY
1	I	SEE TABLE 1	STATOR ASSEMBLY
ITEM	QTY	IDENTIFYING NO.	DESCRIPTION
LIST OF PARTS			
KOLLMORGEN		INLAND MOTOR	
Inland Motor		INLAND MOTOR 501 FIRST STREET RADFORD, VIRGINIA 24141	
OUTLINE AND ASSEMBLY KBM-14XXX-X00			
FSCM 11384		SIZE C	DWG. NO. 945804
SCALE: 3:2		JOB NO.:	SHEET 1 OF 1

4

3

2

1

945804