

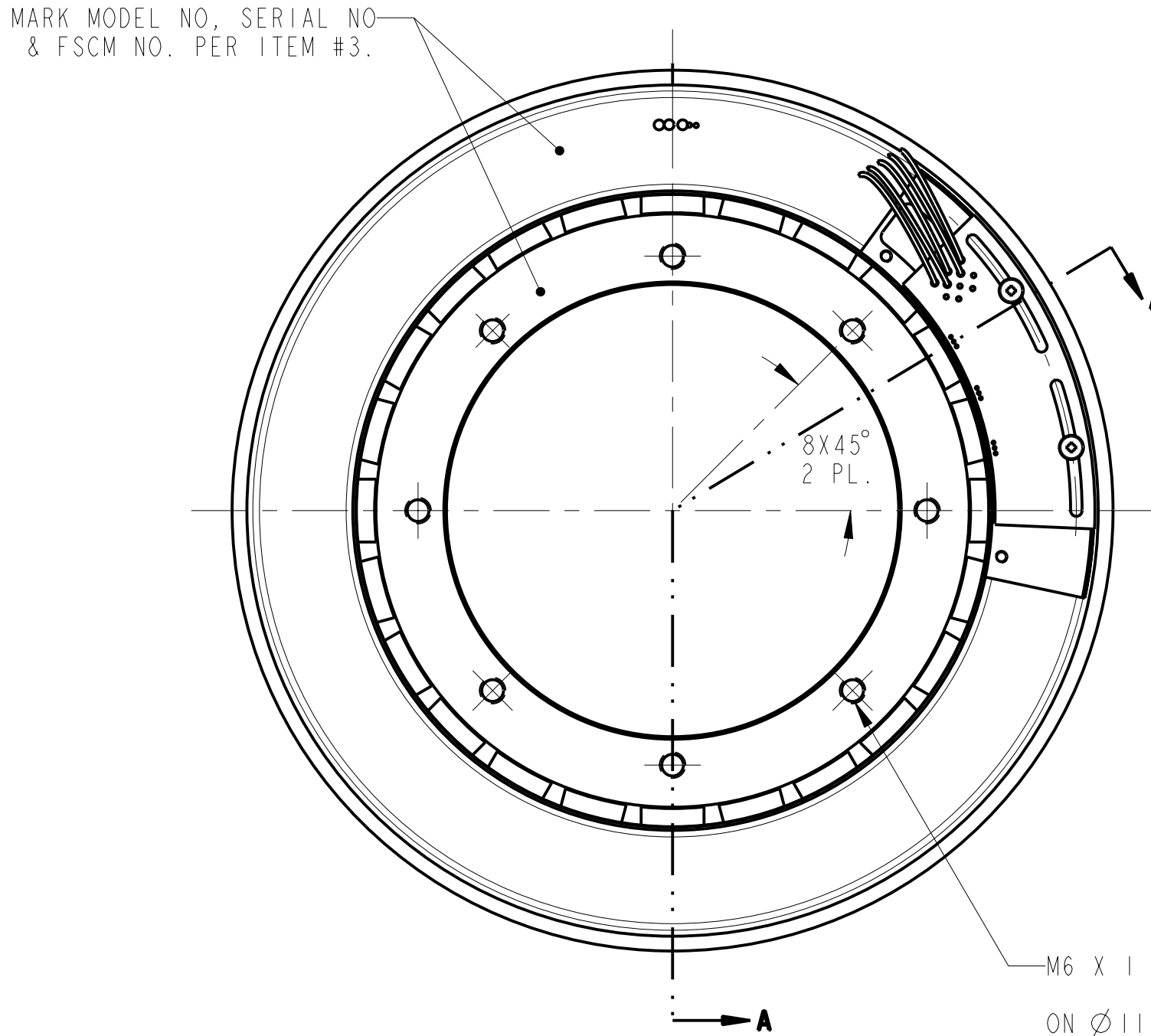
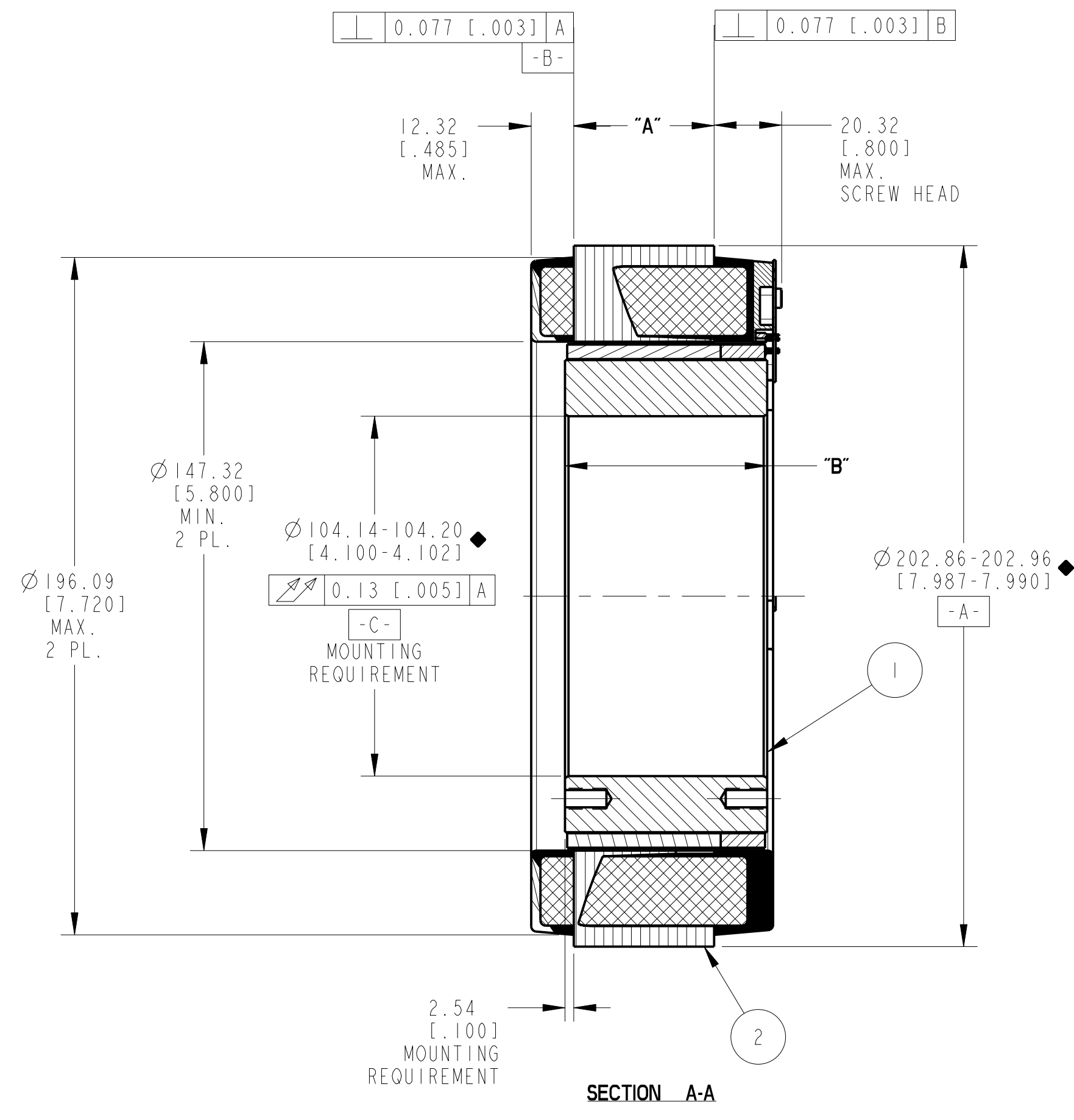
NOTES:

- FOR A.C.C.W. ROTATION, AS VIEWED FROM LEAD END, ENERGIZE PER EXCITATION SEQUENCE BELOW.
- MOTOR SUPPLIED AS TWO SEPERATE COMPONENTS, ARMATURE & SENSOR ASSY AND FIELD ASSY.
- R = 1.5k OHMS APPROXIMATELY (CUSTOMER SUPPLIED).
- EMF-UV, EMF-VW, AND EMF-WU IS BACK EMF OF MOTOR PHASES UV, VW, AND WU ALIGNED WITH SENSOR OUTPUT SHOWN FOR CCW ROTATION ONLY.
- MINIMUM MOUNTING SURFACE FROM 196.85MM [7.750] TO 202.94MM [7.990] BOTH SIDES.
- DIMENSIONS IN BRACKETS [] ARE ENGLISH UNITS FOR REFERENCE ONLY.
- NO ANGULAR RELATIONSHIP BETWEEN MOUNTING HOLES OF EITHER SIDE OF ROTOR.
- R6HS (DIRECTIVE 2002/95/EC AND AMMENDMENTS) COMPLIANCE REQUIRED.

MOTOR LEADS:
 #16 AWG, TEFLON INSULATED, U.L. 1199
 3 LEADS, 400MM [15.75"] MIN
 1-BLUE 1-BROWN 1-VIOLET

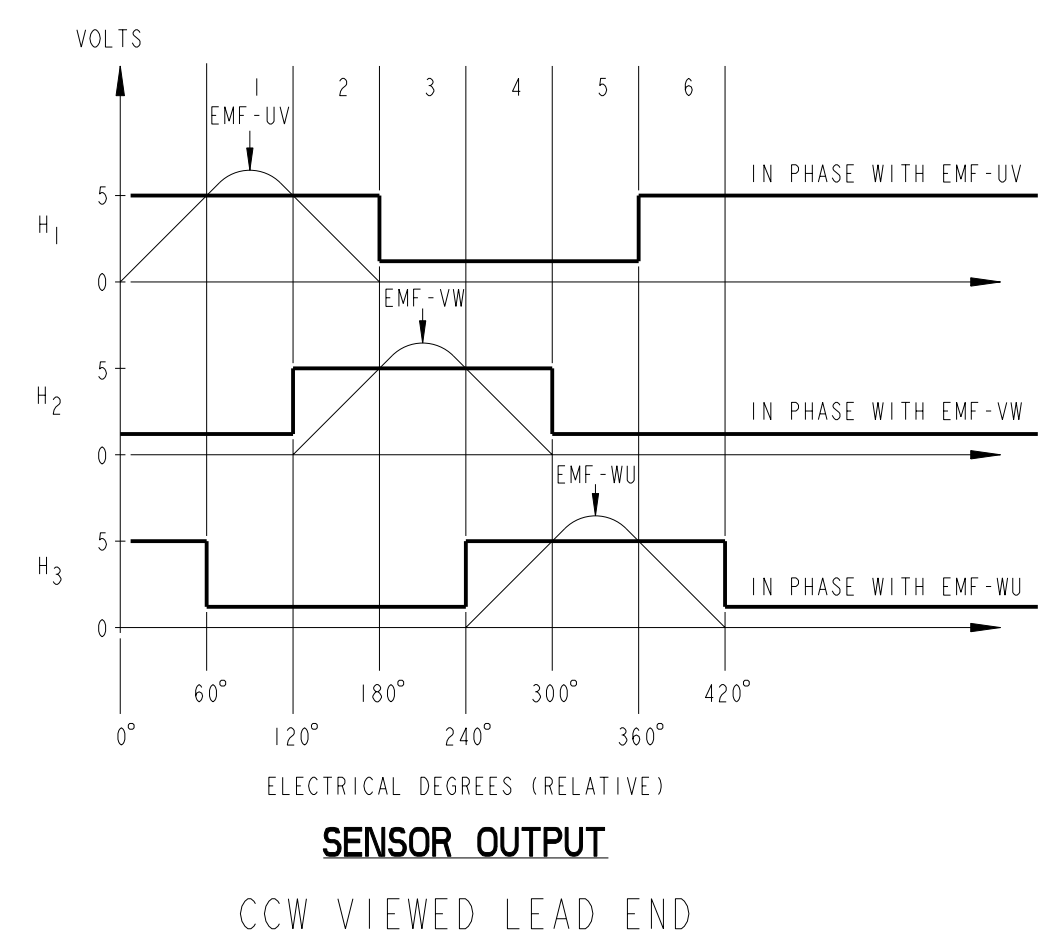
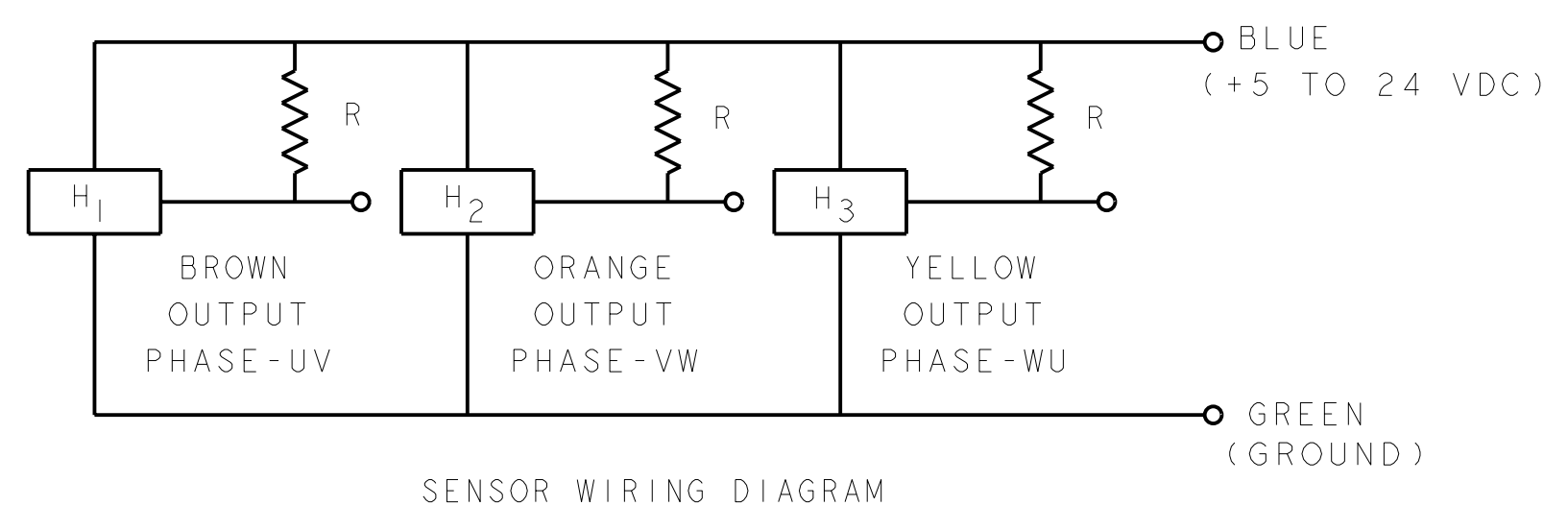
THERMISTOR LEADS:
 #26 AWG, TEFLON INSULATED,
 2 LEADS, 400MM [15.75"] MIN
 1-BLUE 1-RED

SENSOR LEADS:
 #26 AWG, TEFLON COATED PER MIL-W-22579/11
 5 LEADS, 400MM [15.75"] MIN
 1-BLUE, 1-GREEN 1-BROWN 1-ORANGE 1-YELLOW



POWER CONNECTION			
STEP	PHASE "U" BLUE	PHASE "V" BROWN	PHASE "W" VIOLET
1	(+)	(-)	(-)
2	(+)	(-)	(-)
3	(-)	(+)	(-)
4	(-)	(+)	(-)
5	(-)	(-)	(+)
6	(-)	(-)	(+)

EXCITATION SEQUENCE TABLE



MODEL NUMBER	ARMATURE ASSY H.V. INSULATION	ARMATURE ASSY STD. INSULATION	FIELD ASSEMBLY	DIM "A"	DIM "B"
KBMS-57X01	946446/01X	946447/01X	946448/01	20.32 [.800]	38.23 [1.505]
KBMS-57X02	946446/02X	946447/02X	946448/02	40.64 [1.600]	58.54 [2.305]
KBMS-57X03	946446/03X	946447/03X	946448/03	81.79 [3.220]	99.44 [3.915]

THIS DOCUMENT IS ONLY FOR USE BY THE INTENDED RECIPIENT AND CONTAINS KOLLMORGEN CONFIDENTIAL INFORMATION

Pro/E Instance Name: KBMS1201ENC.946445
 Pro/E Drawing Name: 946445
 Pro/E Model Type: ASSEM
 Pro/Engineer Drawing

METRIC DRAWING

UNLESS OTHERWISE SPECIFIED: REMOVE ALL SHARP BURRS AND BREAK ALL SHARP EDGES X DECIMAL PLACES ±.4 [.015] XX DECIMAL PLACES ±.13 [.005] ANGULAR DIMENSIONS ±1'

DO NOT SCALE DRAWING; USE DIMENSIONS ONLY ALL DIMENSIONS ARE IN MILLIMETERS DIMENSIONS IN BRACKETS [] ARE IN INCHES AND ARE FOR REFERENCE ONLY INTERPRET GEOMETRIC SYMBOLS PER ANSI Y14.5M-1992

DATE: 10-Jul-09
 CHECKED BY: LW
 DATE: 16-Sep-09
 APPROVED BY: AG
 DATE: 16-Sep-09

3	AR	IM-2709	MARKING PROCEDURE
2	I	SEE TABLE	ARMATURE ASSEMBLY
1	I	SEE TABLE	FIELD ASSEMBLY
ITEM	QTY	IDENTIFYING NO.	DESCRIPTION
LIST OF PARTS			
		KOLLMORGEN	INLAND MOTOR 501 FIRST STREET RADFORD, VIRGINIA 24141
		Inland Motor	
		OUTLINE	
		KBMS-57XXX-X00	
		FSCM	SIZE DWG. NO. REV
		11384	D 946445 -
		SCALE: 1:000	JOB NO.: SHEET 1 OF 1