

NOTES:

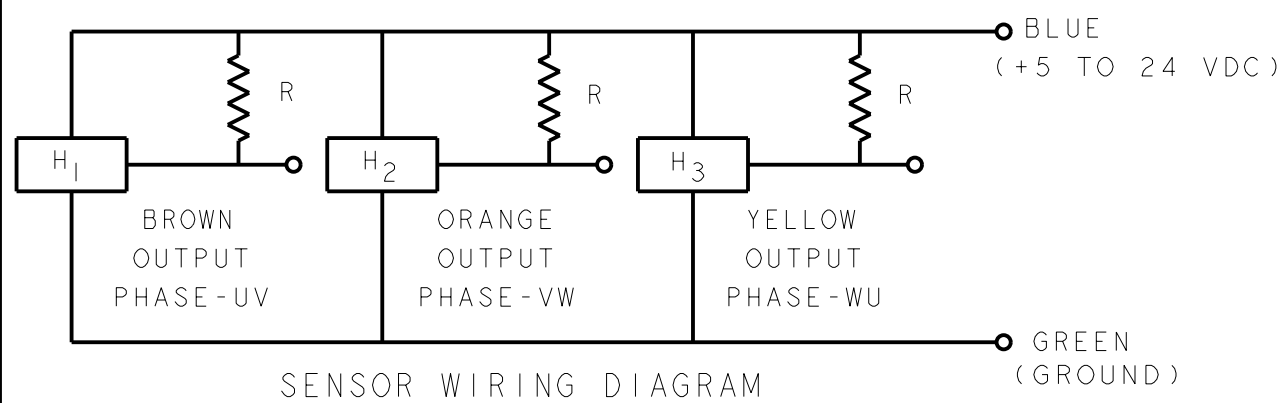
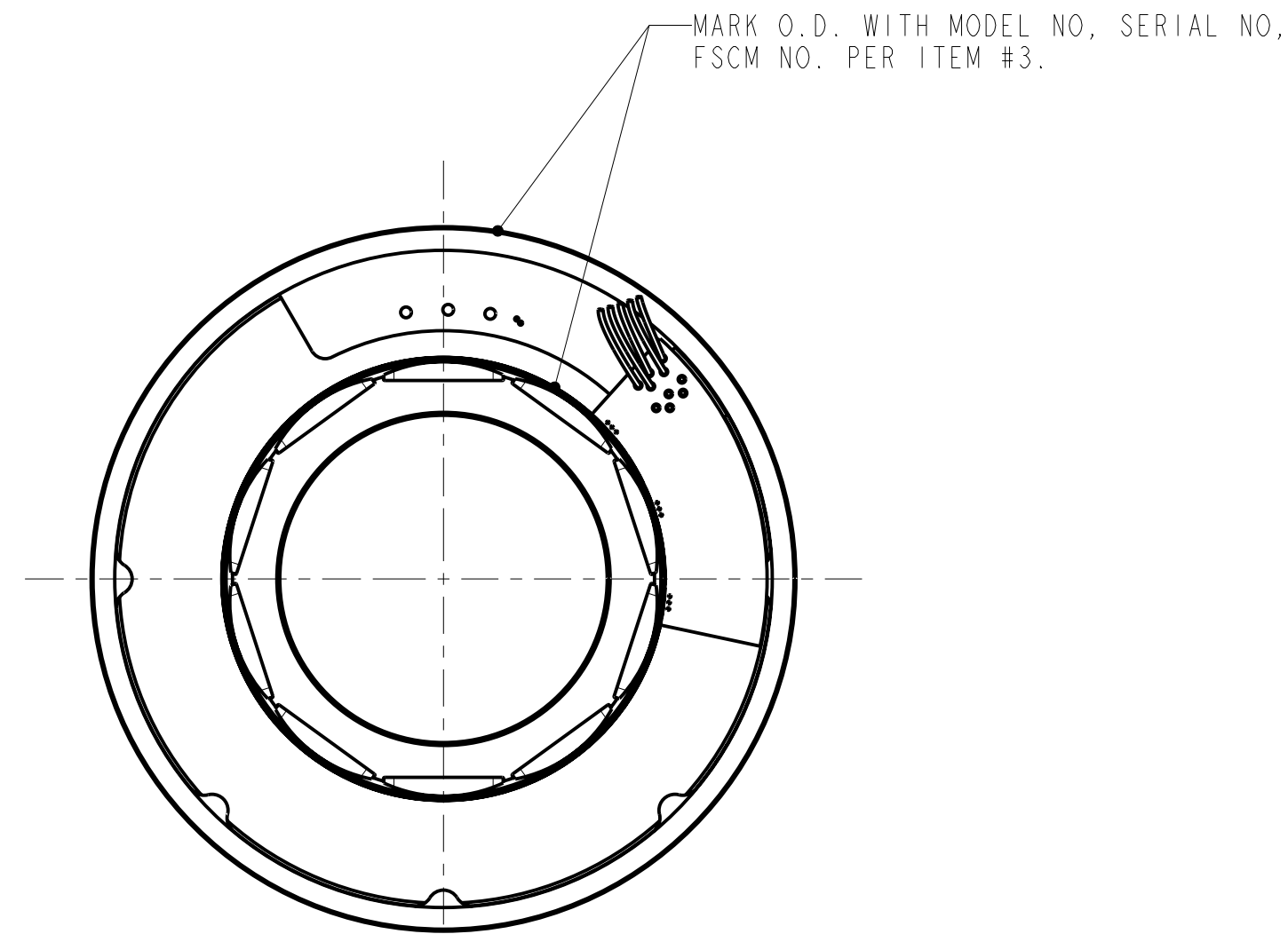
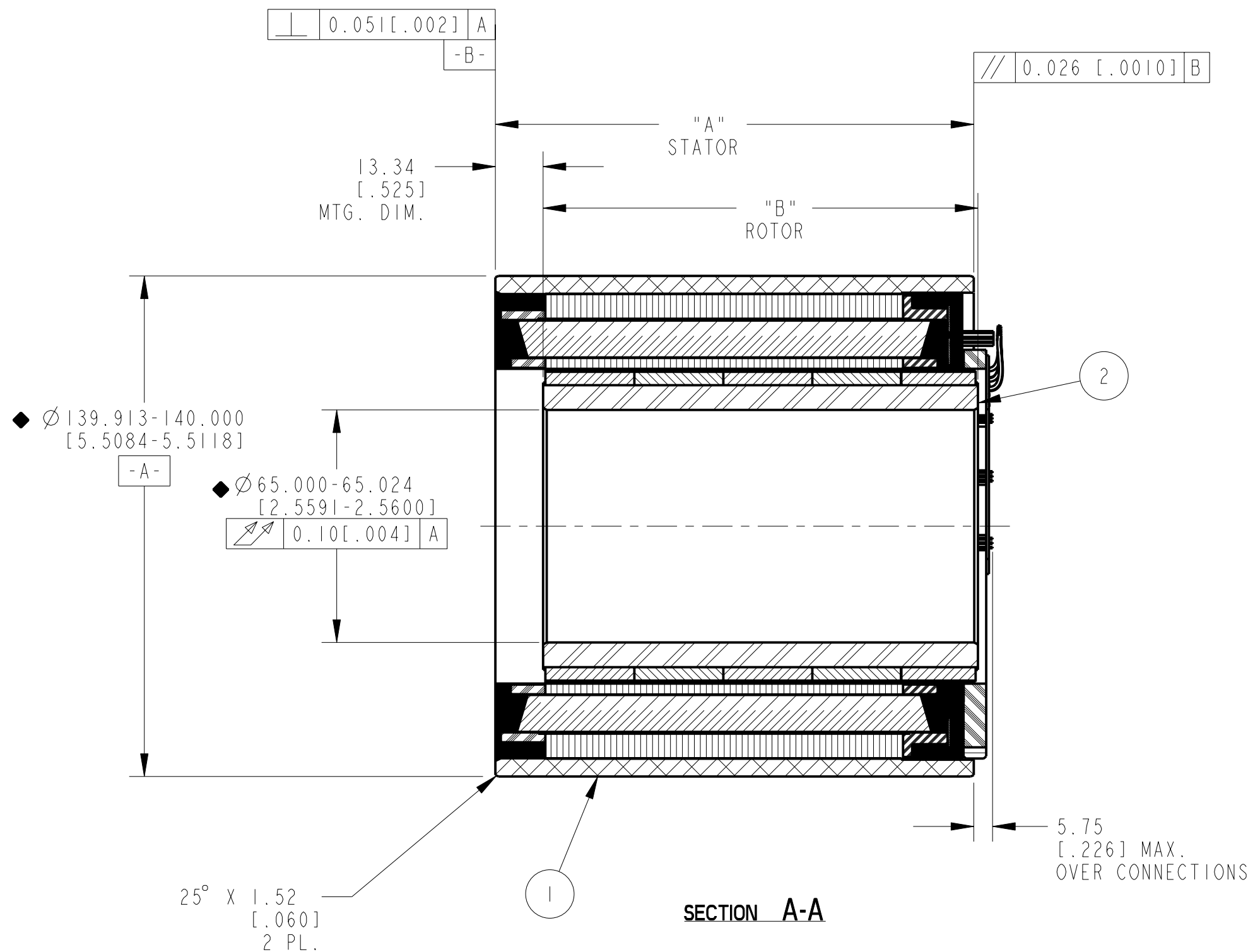
- 1- MOTOR SUPPLIED AS TWO SEPERATE COMPONENTS, STATOR & SENSOR ASSEMBLY AND FIELD ASSEMBLY.
- 2- FOR A C.C.W. ROTATION, AS VIEWED FROM LEAD END, ENERGIZE PER EXCITATION SEQUENCE TABLE.
- 3- R= 1.5K OHMS APPROX. (CUSTOMER SUPPLIED)
- 4- EMF-UV, EMF-VW AND EMF-WU IS BACK EMF OF MOTOR PHASES UV, VW, AND WU RESPECTIVELY, ALIGNED WITH SENSOR OUTPUT AS SHOWN FOR C.C.W. ROTATION ONLY.
- 5- SENSORS SET FOR BI-DIRECTIONAL ROTATION
- 6- RoHS (DIRECTIVE 2002/95/EC AND AMMENDMENTS) COMPLIANCE REQUIRED.

SENSOR LEADS:
 #26 AWG TEFLON COATED PER MIL-W-22759/11, 400.00 [15.75"] MIN. LG. EACH 1-BLUE, 1-ORANGE, 1-BROWN, 1-GREEN, 1-YELLOW

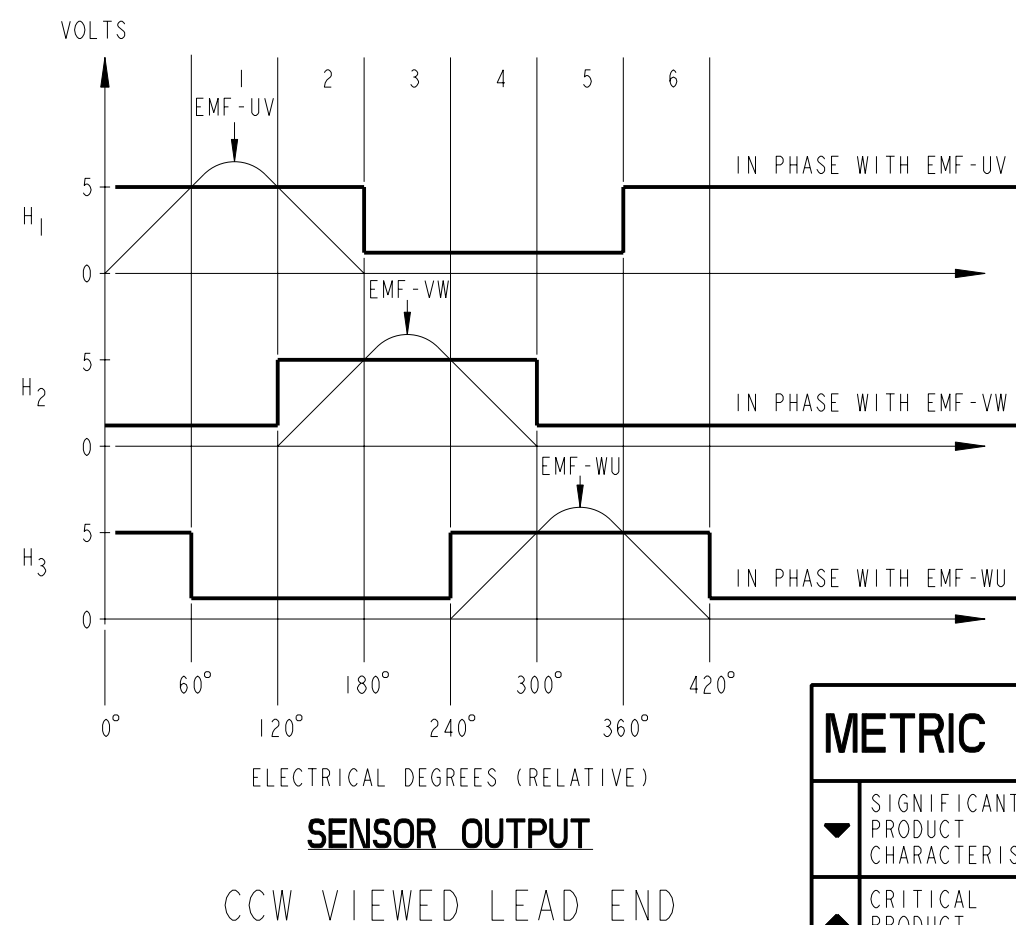
MOTOR LEADS:
 #14 AWG TEFLON COATED PER UL 10086, 400.00 [15.75"] MIN. LG. EACH 1-BLUE, 1-BROWN, 1-VIOLET

THERMISTOR LEADS:
 #26 AWG TEFLON COATED UL RATED 600V, 150°C MIN, 400.00 [15.75"] MIN. LG. EACH 1-BLUE, 1-BLACK

REVISION				
REV	ECN NO.	DESCRIPTION	DATE	APPROVED



SECTION A-A



MODEL NUMBER	STATOR SEE BOM	FIELD ASSEMBLY	"A" DIM	"B" DIM
KBMS-35X01	945892/01X	945887/01	83.74 [3.297]	71.83 [2.828]
KBMS-35X02	945892/02X	945887/02	108.74 [4.281]	96.70 [3.807]
KBMS-35X03	945892/03X	945887/03	133.74 [5.265]	121.56 [4.786]
KBMS-35X04	945892/04X	945887/04	158.74 [6.250]	146.43 [5.765]

THIS DOCUMENT IS ONLY FOR USE BY THE INTENDED RECIPIENT AND CONTAINS KOLLMORGEN CONFIDENTIAL INFORMATION

Pro/E Instance Name	KBMS_35XXX_945893
Pro/E Drawing Name	945893
Pro/E Model Type	ASSEM

STEP	PHASE "U" BLUE	PHASE "V" BROWN	PHASE "W" VIOLET
1	(+)	(-)	
2	(+)		(-)
3		(+)	(-)
4	(-)	(+)	
5	(-)		(+)
6		(-)	(+)

EXCITATION SEQUENCE TABLE

ITEM	QTY	IDENTIFYING NO.	DESCRIPTION
3	AR	IM-2709	MARKING PROCEDURE
2	I	SEE TABLE 1	FIELD ASSEMBLY
1	I	SEE BOM	STATOR & SENSOR ASSEMBLY

LIST OF PARTS			
UNLESS OTHERWISE SPECIFIED: REMOVE ALL SHARP BURRS AND BREAK ALL SHARP EDGES X DECIMAL PLACES ±.4 [.015] XX DECIMAL PLACES ±.13 [.005] ANGULAR DIMENSIONS ±1°		KOLLMORGEN Inland Motor	
DO NOT SCALE DRAWING. USE DIMENSIONS ONLY. ALL DIMENSIONS ARE IN MILLIMETERS. DIMENSIONS IN BRACKETS () ARE IN INCHES AND ARE FOR REFERENCE ONLY.		INLAND MOTOR 501 FIRST STREET RADFORD, VIRGINIA 24141	
INTERPRET GEOMETRIC SYMBOLS PER ANSI Y14.5M-1982		OUTLINE AND ASSEMBLY KBMS-35XXX-X00	
DRW BY: L&T	DATE: 16-Apr-09	FSCM	SIZE DWG. NO.
CHECKED BY: LW	DATE: 17-Sep-09	11384	C 945893
APPROVED BY: AG	DATE: 17-Sep-09	SCALE: 0.750	JOB NO.: SHEET 1 OF 1

945893