

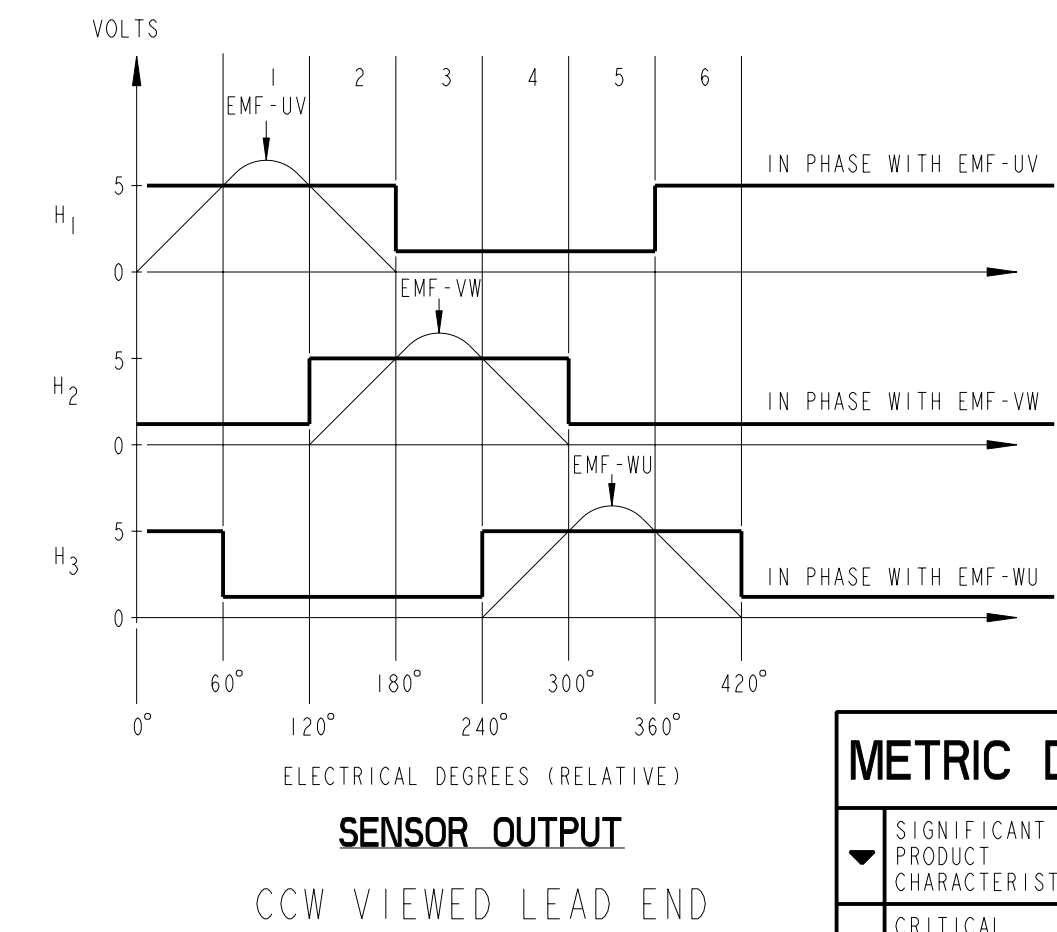
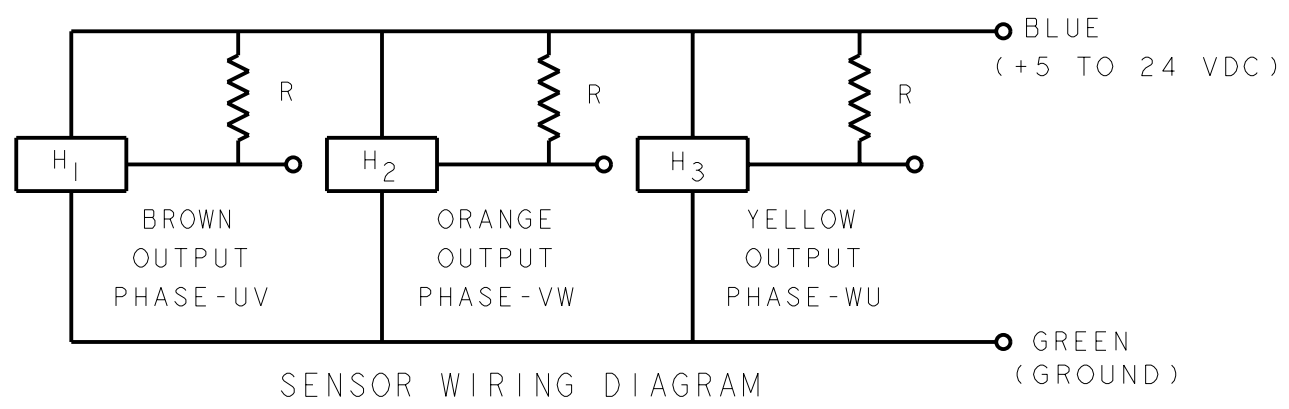
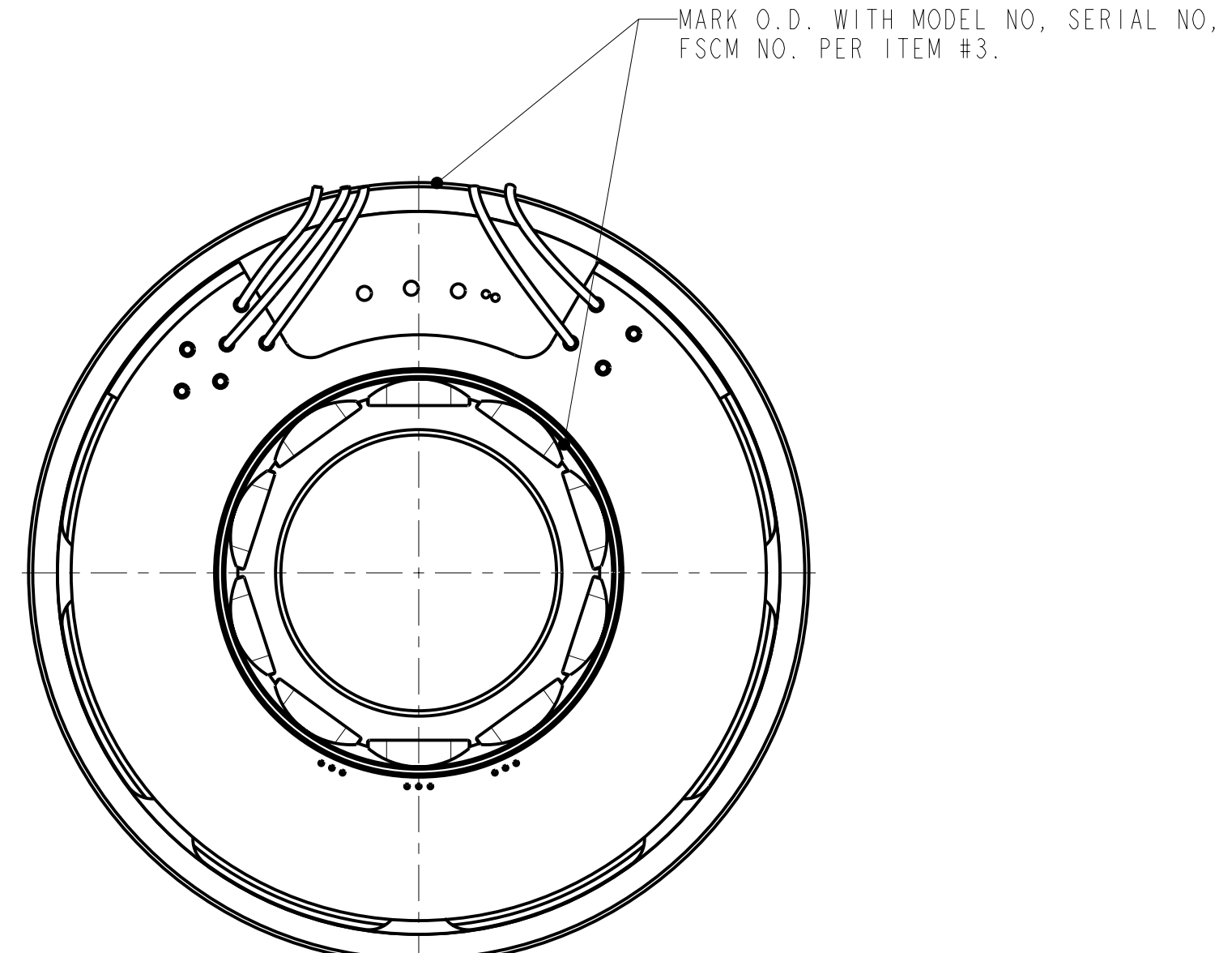
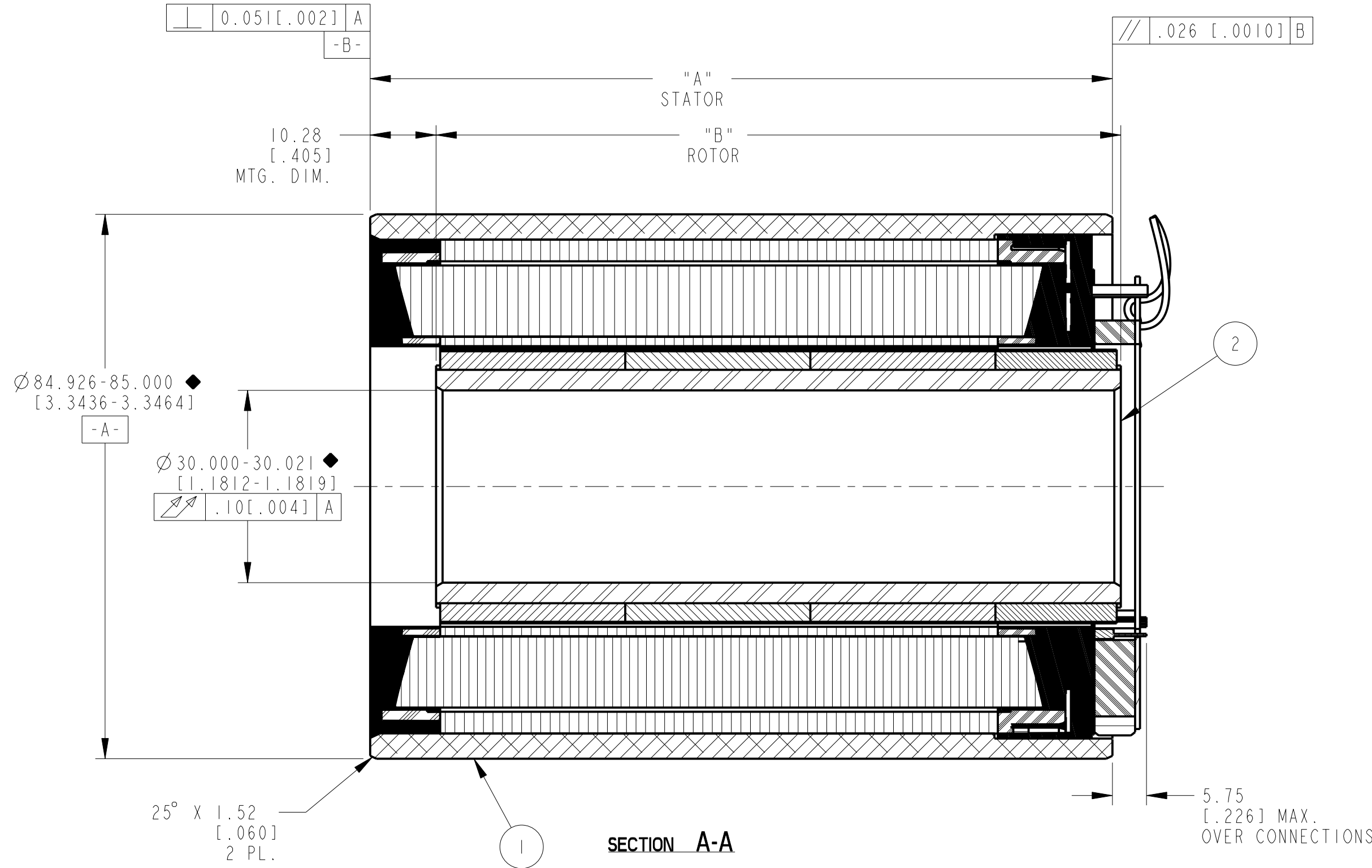
- NOTES:
- 1- MOTOR SUPPLIED AS TWO SEPERATE COMPONENTS, STATOR & SENSOR ASSEMBLY AND FIELD ASSEMBLY.
  - 2- FOR A C.C.W. ROTATION, AS VIEWED FROM LEAD END, ENERGIZE PER EXCITATION SEQUENCE TABLE.
  - 3- R= 1.5K OHMS APPROX. (CUSTOMER SUPPLIED)
  - 4- EMF-UV, EMF-VW AND EMF-WU IS BACK EMF OF MOTOR PHASES UV, VW, AND WU RESPECTIVELY, ALIGNED WITH SENSOR OUTPUT AS SHOWN FOR C.C.W. ROTATION ONLY.
  - 5- SENSORS SET FOR BI-DIRECTIONAL ROTATION
  - 6- RoHS (DIRECTIVE 2002/95/EC AND AMMENDMENTS) COMPLIANCE REQUIRED.

SENSOR LEADS:  
 #26 AWG TEFLON COATED PER MIL-W-22759/11, 400.00 [15.75"] MIN. LG. EACH 1-BLUE, 1-ORANGE, 1-BROWN, 1-GREEN, 1-YELLOW

MOTOR LEADS:  
 #18 AWG TEFLON COATED PER UL 10086, 400.00 [15.75"] MIN. LG. EACH 1-BLUE, 1-BROWN, 1-VIOLET

THERMISTOR LEADS:  
 #26 AWG TEFLON COATED UL RATED 600V, 150°C MIN, 400.00 [15.75"] MIN. LG. EACH 1-BLUE, 1-BLACK

REVISION				
REV	ECN NO.	DESCRIPTION	DATE	APPROVED



STEP	POWER CONNECTION		
	PHASE "U" BLUE	PHASE "V" BROWN	PHASE "W" VIOLET
1	(+)	(-)	(-)
2	(+)	(-)	(-)
3	(-)	(+)	(-)
4	(-)	(+)	(-)
5	(-)	(+)	(+)
6	(-)	(-)	(+)

EXCITATION SEQUENCE TABLE

MODEL NUMBER	STATOR SEE BOM	FIELD ASSEMBLY	"A" DIM	"B" DIM
KBMS-17X01	945819/01X	945814/01	57.80 [2.276]	49.07 [1.932]
KBMS-17X02	945819/02X	945814/02	86.80 [3.417]	77.95 [3.069]
KBMS-17X03	945819/03X	945814/03	115.80 [4.559]	106.83 [4.206]
KBMS-17X04	945819/04X	945814/04	144.80 [5.701]	135.71 [5.343]

ITEM	QTY	IDENTIFYING NO.	DESCRIPTION
3	AR	IM-2709	MARKING PROCEDURE
2	I	SEE TABLE 1	FIELD ASSEMBLY
1	I	SEE BOM	STATOR & SENSOR ASSEMBLY

LIST OF PARTS		KOLL MORGEN		INLAND MOTOR	
UNLESS OTHERWISE SPECIFIED: REMOVE ALL SHARP BURRS AND BREAK ALL SHARP EDGES X DECIMAL PLACES ±.4 [.015] XX DECIMAL PLACES ±.13 [.005] ANGULAR DIMENSIONS ±1°		Inland Motor		INLAND MOTOR 501 FIRST STREET RADFORD, VIRGINIA 24141	
DO NOT SCALE DRAWING, USE DIMENSIONS ONLY ALL DIMENSIONS ARE IN MILLIMETERS DIMENSIONS IN BRACKETS ( ) ARE IN INCHES AND ARE FOR REFERENCE ONLY.		DATE: 03-Apr-09	DATE: 18-Sep-09	DATE: 18-Sep-09	DATE: 18-Sep-09
DRAWN BY: L&T		CHECKED BY: LW		APPROVED BY: AG	
SIGNIFICANT PRODUCT CHARACTERISTIC		FSCM 11384		SIZE C	DWG. NO. 945820
CRITICAL PRODUCT CHARACTERISTIC		SCALE: 3:2		JOB NO.:	SHEET 1 OF 1

THIS DOCUMENT IS ONLY FOR USE BY THE INTENDED RECIPIENT AND CONTAINS KOLLMORGEN CONFIDENTIAL INFORMATION

Pro/E Instance Name: KBMS\_17XXX\_945820  
 Pro/E Drawing Name: 945820  
 Pro/E Model Type: ASSEM  
 Pro/Engineer Drawing

REV. NO. 945820