

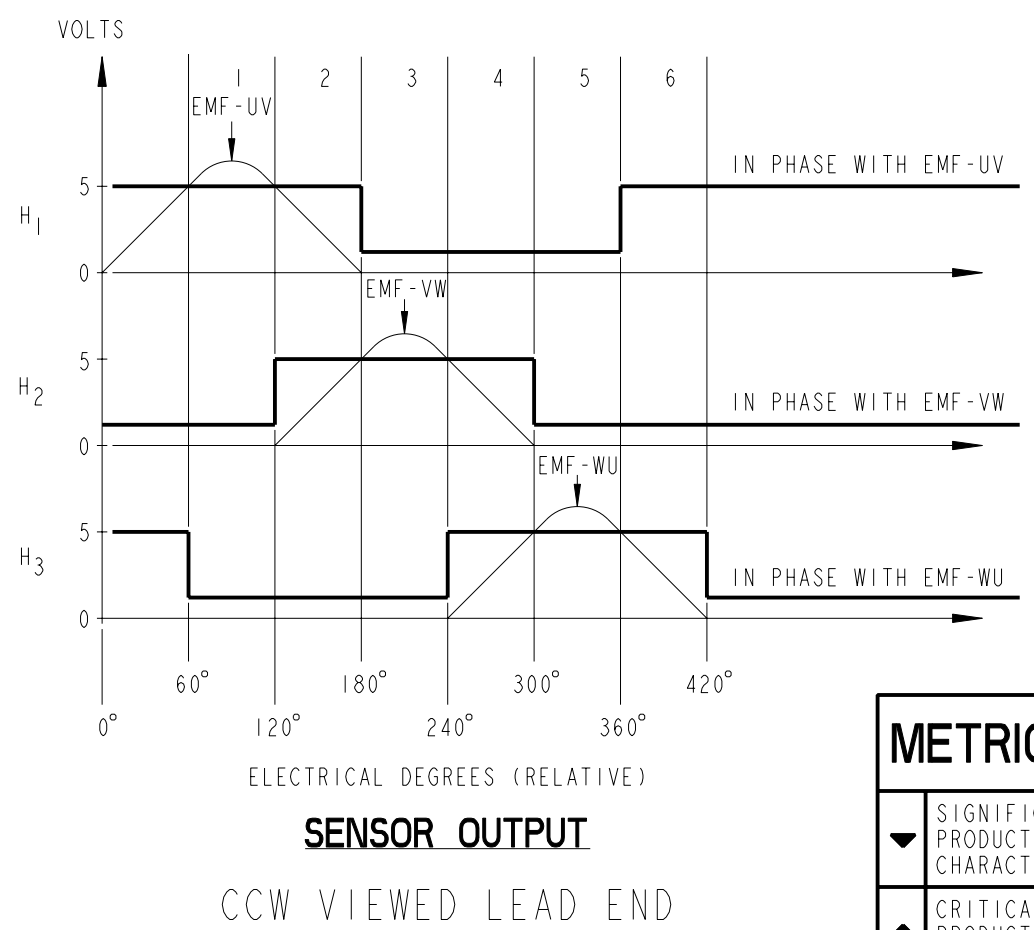
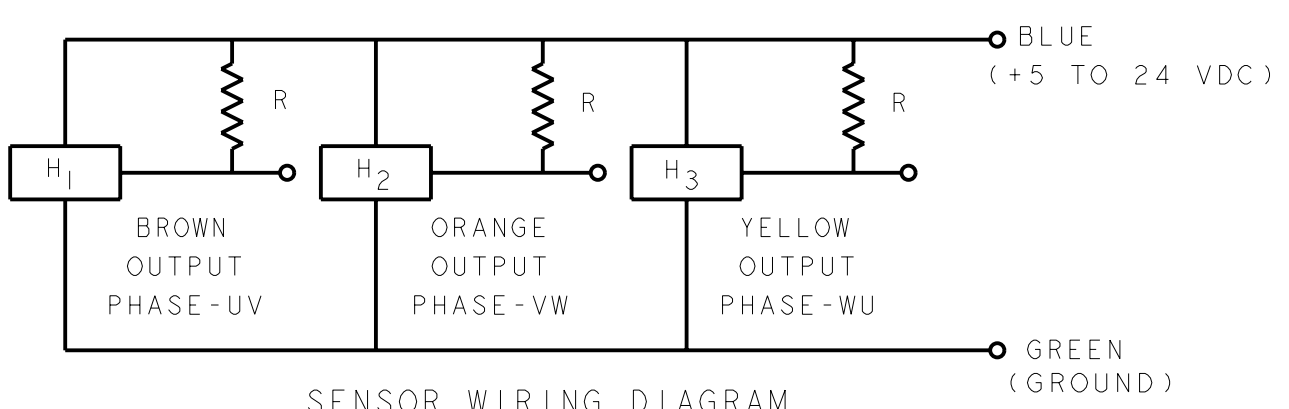
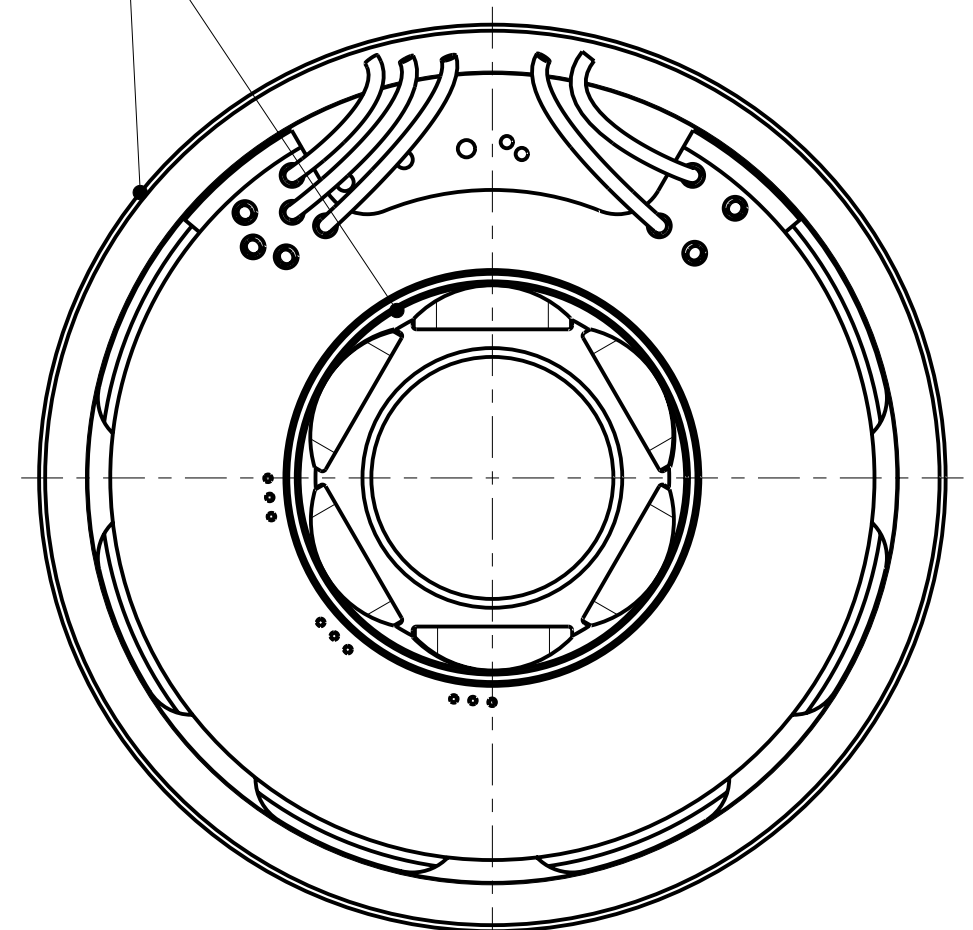
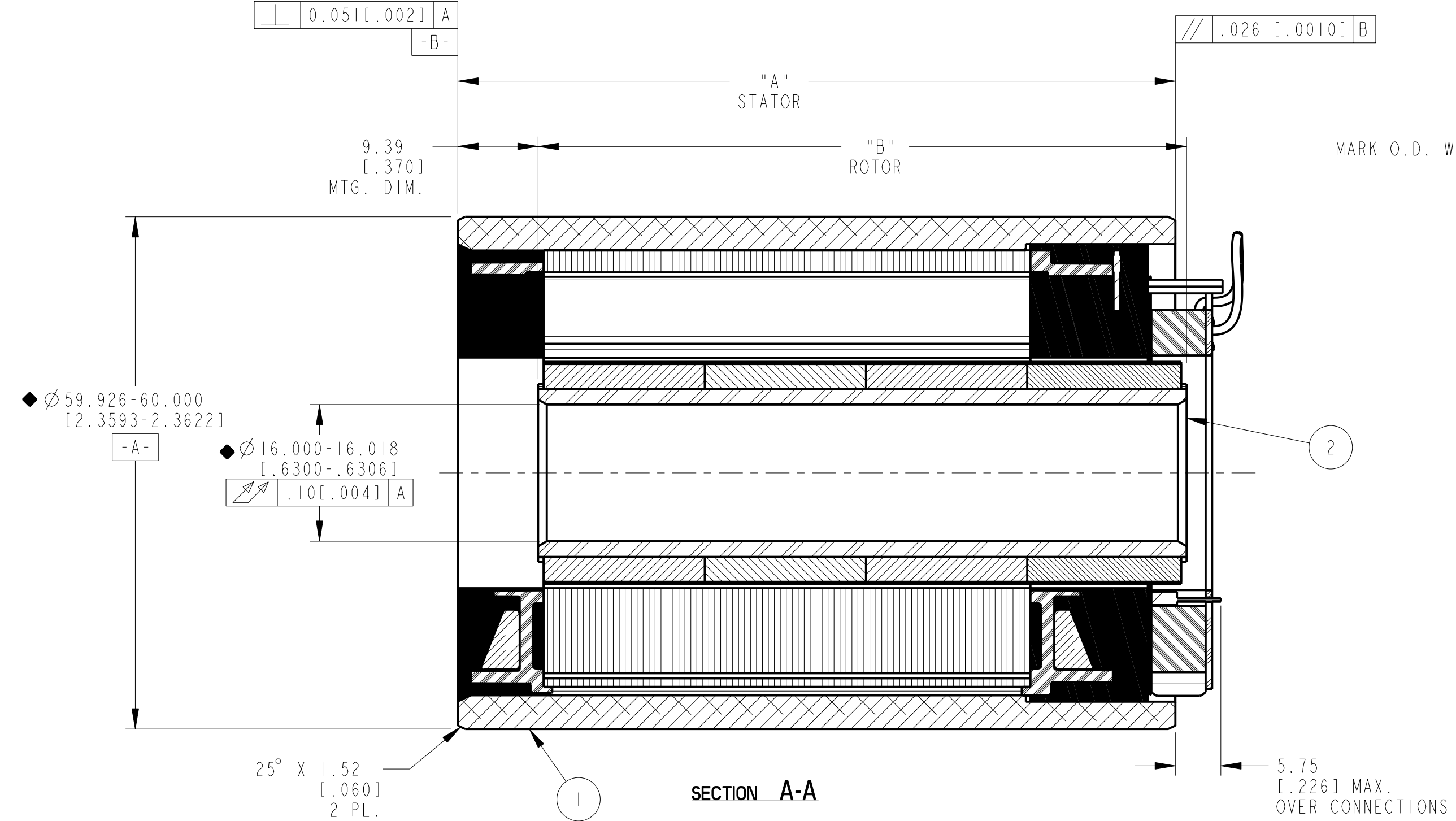
- NOTES:
- 1- MOTOR SUPPLIED AS TWO SEPERATE COMPONENTS, STATOR & SENSOR ASSEMBLY AND FIELD ASSEMBLY.
 - 2- FOR A C.C.W. ROTATION, AS VIEWED FROM LEAD END, ENERGIZE PER EXCITATION SEQUENCE TABLE.
 - 3- R= 1.5K OHMS APPROX. (CUSTOMER SUPPLIED)
 - 4- EMF-UV, EMF-VW AND EMF-WU IS BACK EMF OF MOTOR PHASES UV, VW, AND WU RESPECTIVELY, ALIGNED WITH SENSOR OUTPUT AS SHOWN FOR C.C.W. ROTATION ONLY.
 - 5- SENSORS SET FOR BI-DIRECTIONAL ROTATION.
 - 6- RoHS (DIRECTIVE 2002/95/EC AND AMENDMENTS) COMPLIANCE REQUIRED.

SENSOR LEADS:
 #26 AWG TEFLON COATED PER MIL-W-22759/11, 400.00 [15.75"] MIN. LG. EACH 1-BLUE, 1-ORANGE, 1-BROWN, 1-GREEN, 1-YELLOW

MOTOR LEADS:
 #22 AWG TEFLON COATED PER UL 10086, 400.00 [15.75"] MIN. LG. EACH 1-BLUE, 1-BROWN, 1-VIOLET

THERMISTOR LEADS:
 #26 AWG TEFLON COATED UL RATED 600V, 150°C MIN, 400.00 [15.75"] MIN. LG. EACH 1-BLUE, 1-BLACK

REVISION				
REV	ECN NO.	DESCRIPTION	DATE	APPROVED



MODEL NUMBER	STATOR SEE BOM	FIELD ASSEMBLY	"A" DIM	"B" DIM
KBMS-10X01	944030/01X	945192/01	46.00 [1.811]	38.17 [1.503]
KBMS-10X02	944030/02X	945192/02	65.00 [2.559]	57.05 [2.246]
KBMS-10X03	944030/03X	945192/03	84.00 [3.307]	75.92 [2.989]
KBMS-10X04	944030/04X	945192/04	103.00 [4.055]	94.80 [3.732]

THIS DOCUMENT IS ONLY FOR USE BY THE INTENDED RECIPIENT AND CONTAINS KOLLMORGEN CONFIDENTIAL INFORMATION

Pro/E Instance Name: KBMS_10XXX_943918
 Pro/E Drawing Name: 943918
 Pro/E Model Type: ASSEM
 Pro/Engineer Drawing

STEP	PHASE "U" BLUE	PHASE "V" BROWN	PHASE "W" VIOLET
1	(+)	(-)	(-)
2	(+)	(-)	(-)
3	(-)	(+)	(-)
4	(-)	(+)	(-)
5	(-)	(+)	(+)
6	(-)	(-)	(+)

METRIC DRAWING

SIGNIFICANT PRODUCT CHARACTERISTIC

CRITICAL PRODUCT CHARACTERISTIC

ITEM	QTY	IDENTIFYING NO.	DESCRIPTION
3	AR	IM-2709	MARKING PROCEDURE
2	I	SEE TABLE 1	FIELD ASSEMBLY
1	I	SEE BOM	STATOR & SENSOR ASSEMBLY

LIST OF PARTS			
KOLLMORGEN		INLAND MOTOR	
501 FIRST STREET		RADFORD, VIRGINIA 24141	
OUTLINE AND ASSEMBLY			
KBMS-10XXX-X00			
DO NOT SCALE DRAWING. USE DIMENSIONS ONLY. ALL DIMENSIONS ARE IN MILLIMETERS. DIMENSIONS IN BRACKETS () ARE IN INCHES AND ARE FOR REFERENCE ONLY.	SCALE: 2:1	SIZE: C	DWG. NO.: 943918
INTERPRET GEOMETRIC SYMBOLS PER ANSI Y14.5M-1982	FSCM: 11384	JOB NO.:	REV: -
DATE: 20-Jan-09	DATE: 17-Sep-09	DATE: 17-Sep-09	SHEET 1 OF 1

DWG. NO. 943918