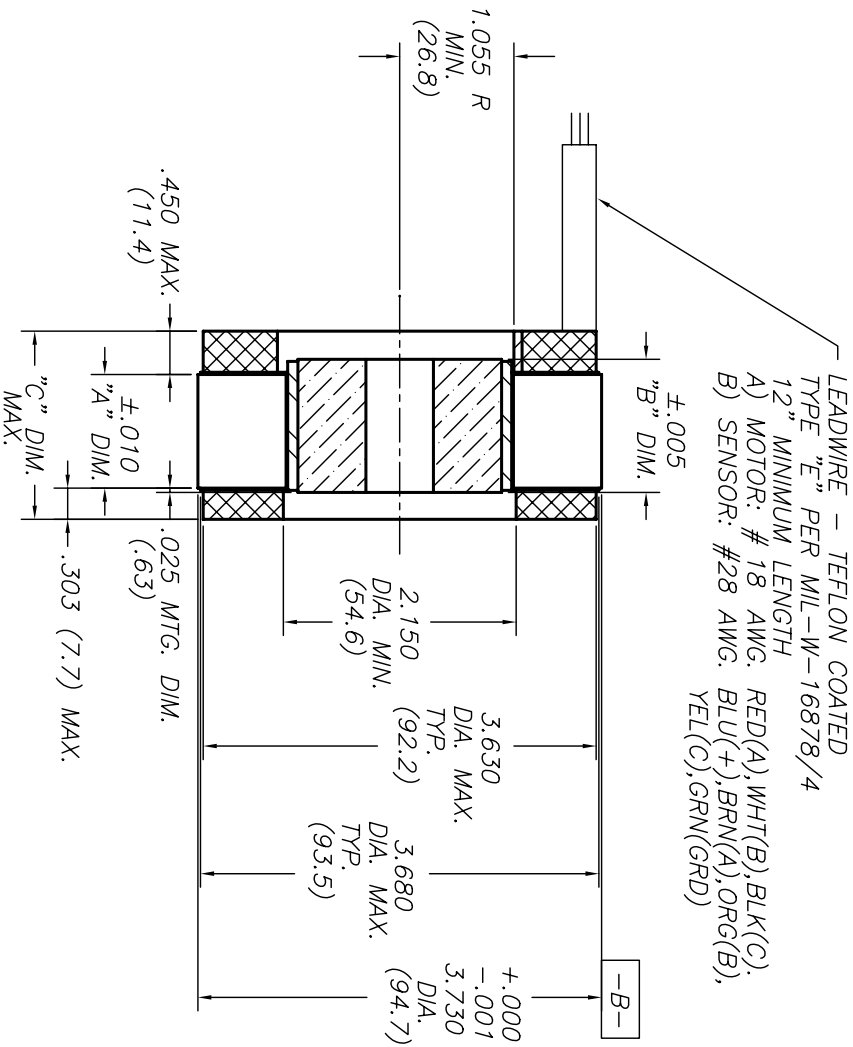
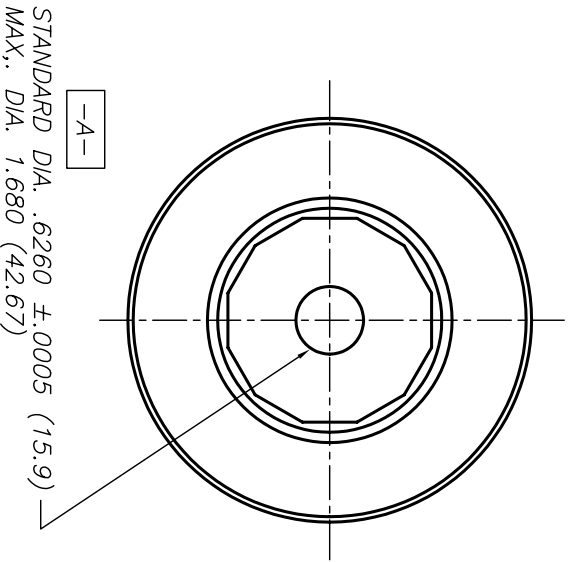


MODEL	"A" DIM.	"B" DIM.	"C" DIM.
HT03800	.250(6.4)	.430(10.9)	1.013 (25.7)
HT03801	.650(16.6)	.830(21.1)	1.413 (35.9)
HT03802	1.050(26.7)	1.230(31.3)	1.813 (46.1)
HT03803	1.450(36.9)	1.630(41.4)	2.213 (56.2)
HT03804	1.850(47.0)	2.030(51.6)	2.613 (66.4)
HT03805	2.250(57.2)	2.430(61.8)	3.013 (76.5)



1. MOTOR SUPPLIED AS TWO SEPARATE COMPONENTS, ROTOR ASSEMBLY AND STATOR ASSEMBLY.
2. DIAMETERS "A" AND "B" TO BE CONCENTRIC WITHIN .002 WHEN MOUNTED.
3. MOUNTING SURFACE BETWEEN 3.730 AND 3.680 DIAMETERS ON BOTH SIDES.

STANDARD DIA. .6260 ±.0005 (15.9) MAX., DIA. 1.680 (42.67)

-A-

-B-

REVISION		
ECN	LTR	DATE
---	B	6/97
REVISION AND REDRAW		APPROVED
		BWT

UNLESS OTHERWISE SPECIFIED DIMENSIONS ARE IN INCHES TOLERANCES ON		DRAWSMAN:	DATE:
ANGLES 3 PLACE	2 PLACE	BWT	6/97
±0° 30'	±.005 DEC ±.01	CHECKER:	
DO NOT SCALE		ENGINEER:	
MATERIAL		CUSTOMER:	
FINISH		DWG IDENTIFICATION NUMBER	DRAWING NUMBER
		B	HT03800-X0X
		SIZE	00214
		SCALE	SHEET
			OF

Emotek Corp
10002-B East 43rd St. South
TULSA, OK 74148

TITLE:
**OUTLINE DRAWING
FRAMELESS MOTOR**