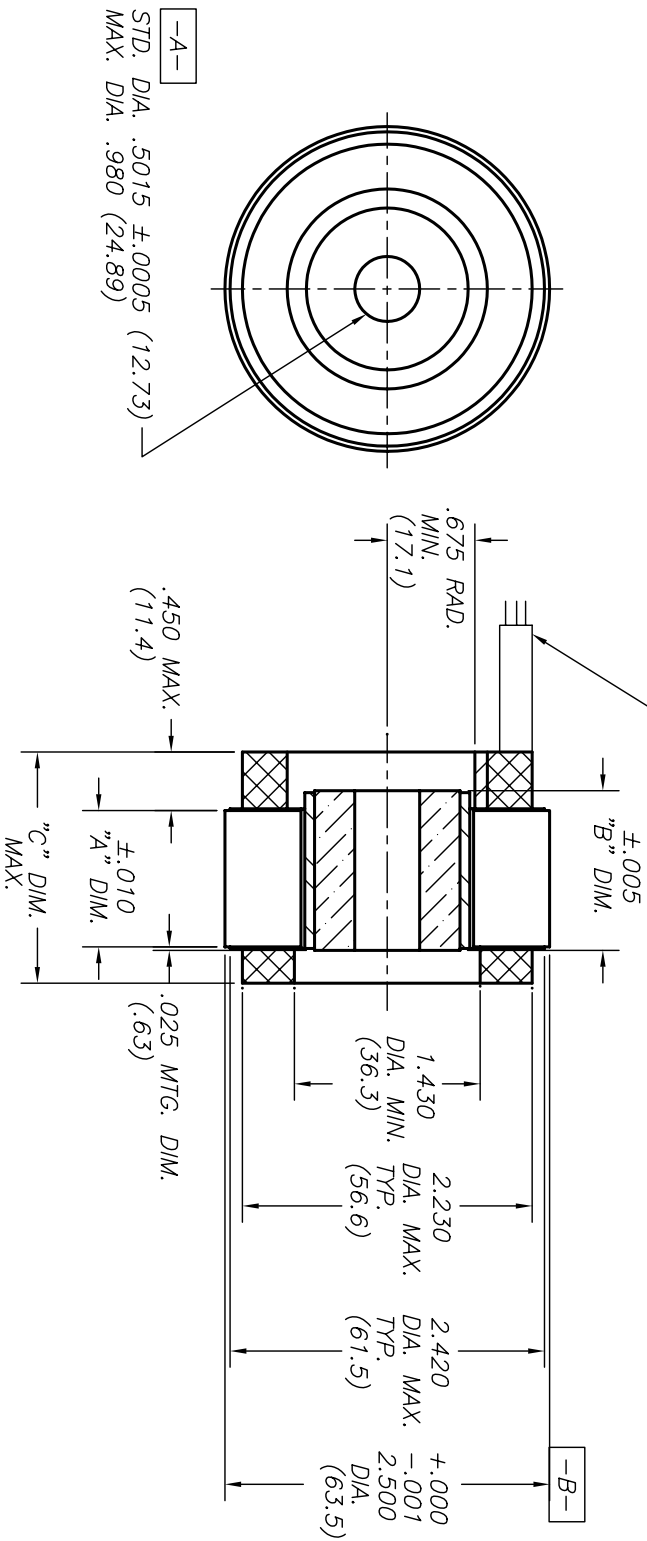


MODEL	"A" DIM.	"B" DIM.	"C" DIM.
HT02500	.250(6.4)	.430(10.9)	.980 (24.9)
HT02501	.650(16.6)	.830(21.1)	1.380 (35.1)
HT02502	1.050(26.7)	1.230(31.3)	1.780 (45.2)
HT02503	1.450(36.9)	1.630(41.4)	2.180 (55.4)
HT02504	1.850(47.0)	2.030(51.6)	2.580 (65.5)
HT02505	2.250(57.2)	2.430(61.8)	2.980 (75.7)



LEADWIRE - TEFLON COATED  
 TYPE "E" PER MIL-W-16878/4  
 12" MINIMUM LENGTH  
 A) MOTOR: # 18 AWG. RED(A), WHT(B), BLK(C).  
 B) SENSOR: #28 AWG. BLU(+), BRN(A), ORG(B),  
 YEL(C), GRN(GRD)

1. MOTOR SUPPLIED AS TWO SEPARATE COMPONENTS, ROTOR ASSEMBLY AND STATOR ASSEMBLY.
2. DIAMETERS "A" AND "B" TO BE CONCENTRIC WITHIN .002 WHEN MOUNTED.
3. MOUNTING SURFACE BETWEEN 2.500 AND 2.420 DIAMETERS ON BOTH SIDES.

REVISION			
ECN	LTR	DATE	APPROVED
8607	A	2/9/96	GLG

UNLESS OTHERWISE SPECIFIED DIMENSIONS ARE IN INCHES TOLERANCES ON		DRAWN BY: BWT	DATE: 6/97
ANGLES 3 PLACE DEC ± .005 DEG ± .01	CHECKER:	ENGINEER:	
MATERIAL DC NOT SCALE	CUSTOMER:		
FINISH			
<b>Emotek Corp</b> 10002-B East 43rd St. South TULSA, OK 74148 TITLE: OUTLINE DRAWING FRAMELESS MOTOR		DWG NUMBER: B	CODE IDENTIFICATION: 00214
SCALE:		DRAWING NUMBER: HT02500-X0X	SHEET: OF