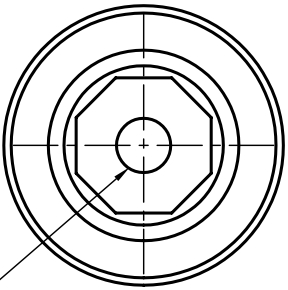
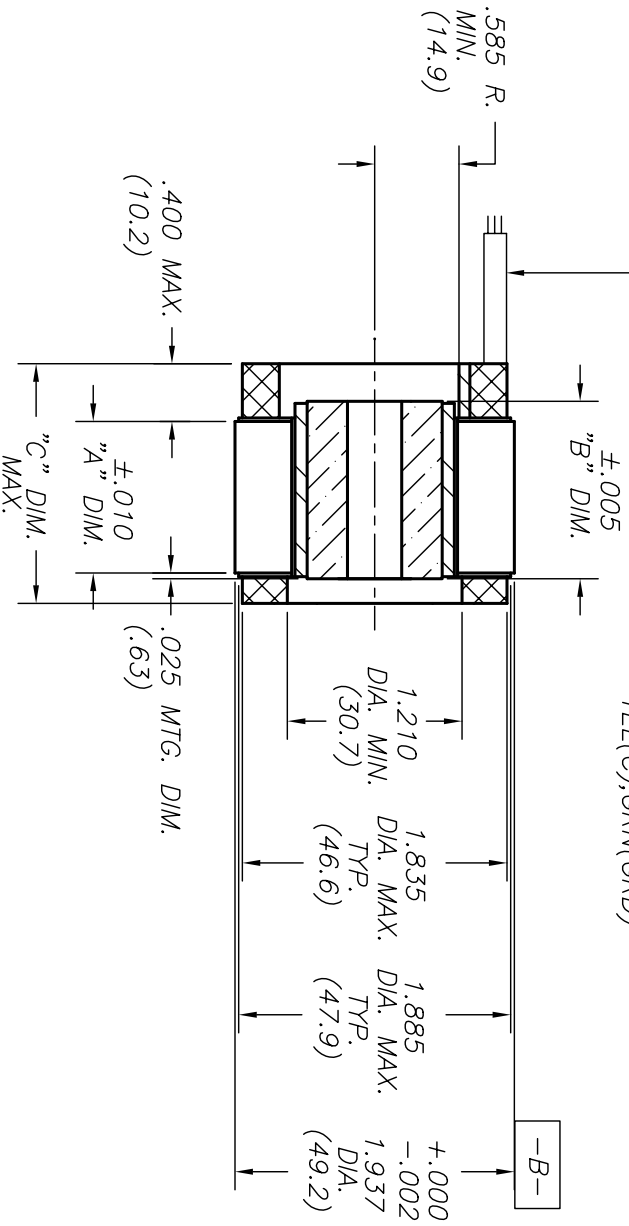


| REVISION | | | |
|-------------------|-----|------|----------|
| ECN | LTR | DATE | APPROVED |
| --- | B | 6/97 | BWT |
| REVISE AND REDRAW | | | |

| MODEL | "A" DIM. | "B" DIM. | "C" DIM. |
|---------|--------------|--------------|--------------|
| HT02000 | .250 (6.4) | .430 (10.9) | .862 (21.9) |
| HT02001 | .650 (16.6) | .830 (21.1) | 1.262 (32.1) |
| HT02002 | 1.050 (26.7) | 1.230 (31.3) | 1.662 (42.2) |
| HT02003 | 1.450 (36.9) | 1.630 (41.4) | 2.062 (52.4) |
| HT02004 | 1.850 (47.0) | 2.030 (51.6) | 2.462 (62.5) |
| HT02005 | 2.250 (57.2) | 2.430 (61.8) | 2.862 (72.7) |



STANDARD DIA. .3760 ±.0005 (9.55)
 MAX. DIA. .7900 (20.06)



LEADWIRE - TEFLON COATED
 TYPE "E" MIL-W-16878/4
 12" MINIMUM LENGTH
 A) MOTOR: #20 AWG. RED(A), WHI(B), BLK(C)
 B) SENSOR: #28 AWG. BLU(+), BRN(A), ORG(B)
 YEL(C), GRN(GRD)

1. MOTOR SUPPLIED AS TWO SEPARATE COMPONENTS, ROTOR ASSEMBLY AND STATOR ASSEMBLY.
2. DIAMETERS -A- AND -B- TO BE CONCENTRIC WITHIN .002 WHEN MOUNTED.
3. MOUNTING SURFACE BETWEEN 1.937 AND 1.885 DIAMETERS ON BOTH SIDES.

| | | | | |
|---|--------------------|-----------------------------|--|--|
| UNLESS OTHERWISE SPECIFIED DIMENSIONS ARE IN INCHES TOLERANCES ON | | DATE: 6/97 | DRAWING NUMBER: HT02000-X0X | |
| ANGLES | 3 PLACE DEC ± .005 | CHECKER: BWT | TITLE: OUTLINE DRAWING FRAMELESS MOTOR | |
| DC NOT SCALE | 2 PLACE DEC ± .01 | ENGINEER: | CUSTOMER: | |
| FINISH | | DRAWING NUMBER: HT02000-X0X | | |
| SCALE: | | SHEET: 0P | | |

Emotek Corp
 10002-B East 43rd St. South
 TULSA, OK 74148