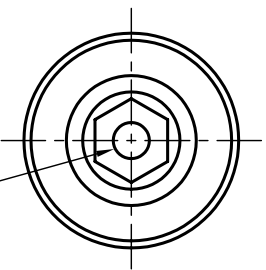


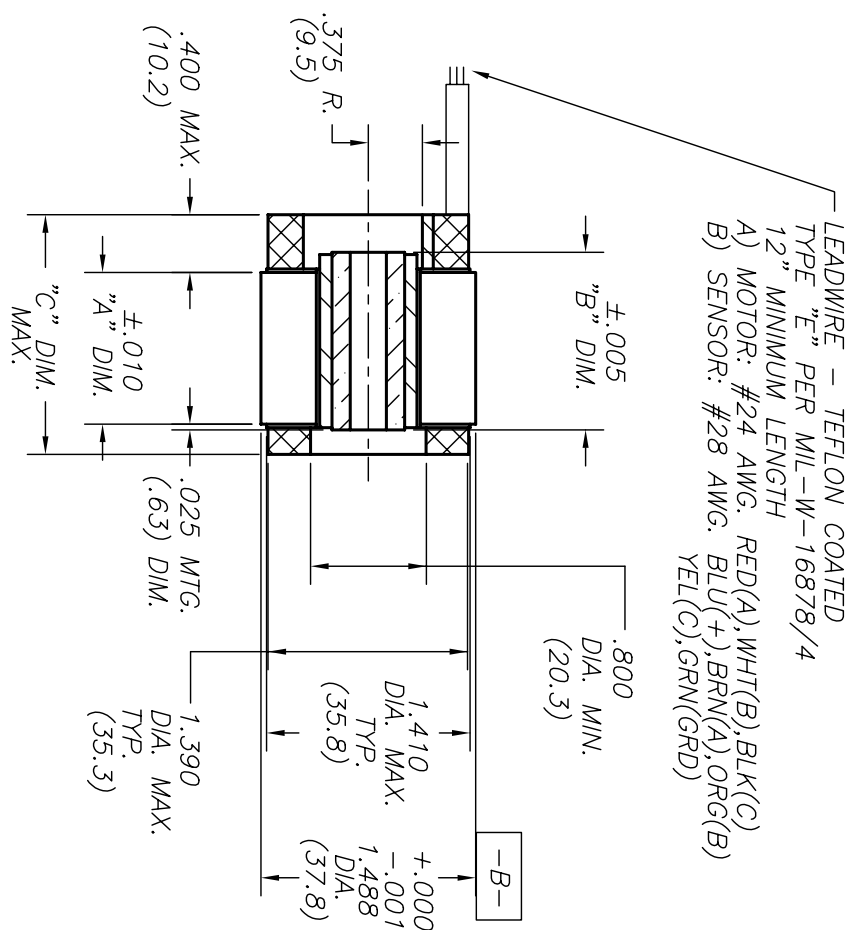
REVISION			
ECN	LTR	DATE	APPROVED
---	B	6/97	BWT
REVISE AND REDRAW			

MODEL	"A" DIM.	"B" DIM.	"C" DIM.
HT01500	.250 (6.4)	.430 (10.9)	.860 (21.9)
HT01501	.650 (16.6)	.830 (21.1)	1.260 (32.0)
HT01502	1.050 (26.7)	1.230 (31.3)	1.660 (42.2)
HT01503	1.450 (36.9)	1.630 (41.4)	2.060 (52.4)
HT01504	1.850 (47.0)	2.030 (51.6)	2.460 (62.5)
HT01505	2.250 (57.2)	2.430 (61.8)	2.860 (72.6)



-A-
 STANDARD DIA. .2510 ±.0005 (6.37)
 MAX. DIA. .375 (9.52)

1. MOTOR SUPPLIED AS TWO SEPARATE COMPONENTS, ROTOR ASSEMBLY AND STATOR ASSEMBLY.
2. DIAMETERS -A- AND -B- TO BE CONCENTRIC WITHIN .002 WHEN MOUNTED.
3. MOUNTING SURFACE BETWEEN 1.488 AND 1.410 DIAMETERS ON BOTH SIDES.



LEADWIRE - TEFLON COATED
 TYPE "E" PER MIL-W-16878/4
 12" MINIMUM LENGTH
 A) MOTOR: #24 AWG. RED(A), WHT(B), BLK(C)
 B) SENSOR: #28 AWG. BLU(+), BRN(A), ORG(B)
 YEL(C), GRN(GRD)

UNLESS OTHERWISE SPECIFIED DIMENSIONS ARE IN INCHES TOLERANCES ON		DRAWSMAN: BWT	DATE: 6/97
ANGLES 3 PLACE DEC ± .005	2 PLACE DEC ± .01	CHECKER:	
MATERIAL DC NOT SCALE		ENGINEER:	
FINISH		CUSTOMER:	
DWG NUMBER 00214		CODE IDENTIFICATION HT0150X-X00	
SCALE:		DRAWING NUMBER HT0150X-X00	
		SHEET 1 OF 1	

Emotek Corp
 10002-B East 43rd St. South
 TULSA, OK 74148

OUTLINE DRAWING
 FRAMELESS MOTOR