

## CC-550-7500

Converter for driving ultra-high-speed turbo compressors in fuel cells systems.

- Operation of turbo compressor from wide output voltage range of the fuel cell (300–550 VDC)
- Rated output power: 7.5 kW
- Sensorless speed control up to 300,000 rpm
- Protection class IP67
- Water cooled
- Auxiliary voltage supply (10 - 36 VDC) for control and start-up of the turbo compressor from battery (must always be present during operation)



Specifications converter	
Input voltage $U_{in}$	100 – 550 VDC
Nominal high voltage input $U_{HV}$	300 – 500 VDC
Maximum output power (high voltage operation)	7.5 kW ( $U_{HV} > 300$ VDC)
Maximum high voltage input current	25 Arms
Low voltage power input $U_{LV}$	8 – 36 VDC
Maximum output power for startup (low voltage input min. 10 VDC)	200 W ( $U_{LV} > 10$ VDC), 300 W ( $U_{LV} > 12$ VDC)
Maximum frequency / speed	5 kHz / 300,000 rpm
Output voltage (peak value phase-phase)	0 – 0.95· $U_{HV}$ , max. 460 V
Maximum phase current	24 Arms
Communication interface	CAN 2.0A, SAE J1939, RS422-USB (Service Interface)
Cooling water temperature	-30 – 65 °C
Ambient temperature	-30 – 65 °C
Protection class	IP67
Weight (incl. housing)	5.4 kg
Dimensions (L x W x H)	300 x 190 x 80 mm (11.8 x 7.5 x 3.1 inch)

Low voltage input	
3 x CAN interface	CanH, CanL, CanGND
4 x RS422 interface	TX-, RX+, TX+, RX-
4 x Low voltage input $U_{LV}$	2 x LV+, 2 x LV-
2 x PE	Protective earth, connected to the casing
2 x Passive interlock (CC-550-7500.ST1.MCx.SCx only)	IL1, IL2
Connector type	TE / AMPSEAL 21 Pos.

Water cooling	
In-/Outlet connector type	According to SAE J1231 430192
Tube ID	10 mm

Converter grounding	
Grounding screw	M5 x 10

**Order codes:** CC-550-7500.STx.MCx.SCx

Supply type		
<b>ST1</b>	<b>HV DC connector</b>	
	2 x High voltage input $U_{HV}$	HV+, HV-
	Shield	Integrated
	Connector type	Amphenol/ PowerLok 4.0
	Interlock	Passive Interlock
<b>ST2</b>	<b>HV DC cable</b>	
	2 x High voltage input $U_{HV}$	HV+, HV-
	1 x PE	Protective earth, connected to the casing
	Shield	Cable shield connected to the casing
	Cable type	Huber&Suhner 3 x 2.5 mm <sup>2</sup> RADOX 155S FLR / RADOX Elastomer S
	Cable length	1 m (open end)

Motor cable		
<b>MC1</b>	<b>Motor cable without temperature sensor</b>	
	3 x Motor phase	U, V, W
	1 x PE	Protective earth, connected to the casing
	Shield	Cable shield connected to the casing
	Cable type	LAPP Ölflex Heat 125 C MC 4G4
	Cable length	1 m (open end)

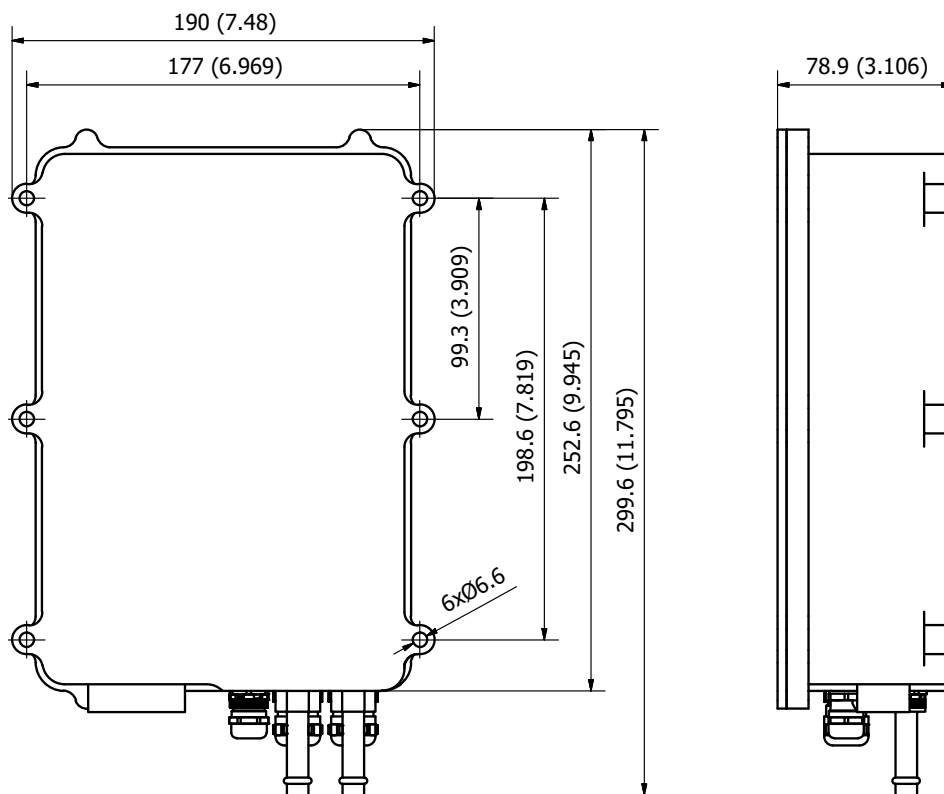
**Sensor cable**

<b>SC1</b>	<b>No temperature sensor cable</b>	
<b>SC2</b>	<b>Sensor cable for temperature measurement</b>	
	2 x Temperature sensor	PT100+, PT100-
	Shield	Cable shield connected to the casing
	Cable type	LAPP Ölflex Heat 125 C MC 2G0.5
	Cable length	1 m (open end)

**Accessories**

Supply cable CC-550-7500 (Connector X1)	Low voltage input cable with CAN 1 m (open ends)
Service cable CC-550-7500 (Connector X1)	Low voltage input cable with CAN and RS422-USB converter 1 m (open ends)

**Drawing in mm (inch)**



© Celeroton AG. All rights reserved.

**Celeroton AG** | Industriestrasse 22 | 8604 Volketswil | Switzerland  
 T: +41 44 250 52 20 | F: +41 44 250 52 29 | info@celeroton.com