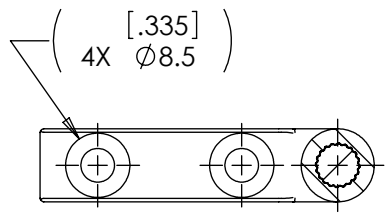


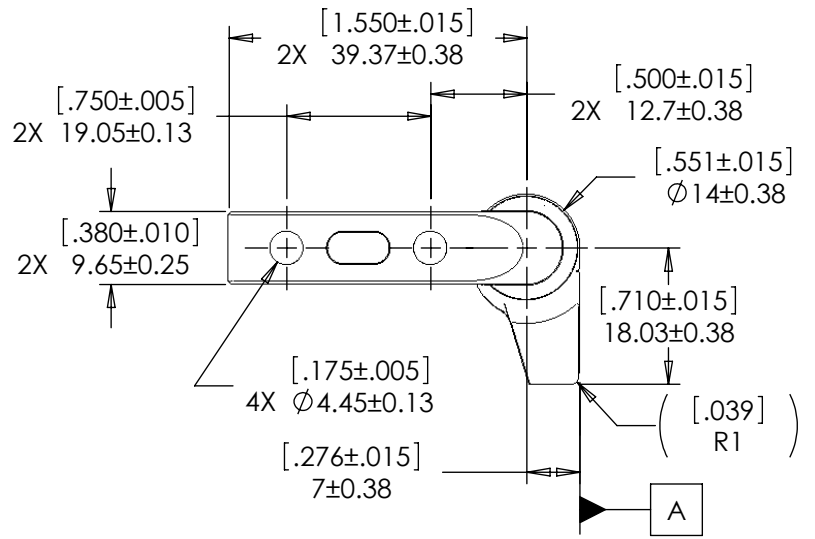
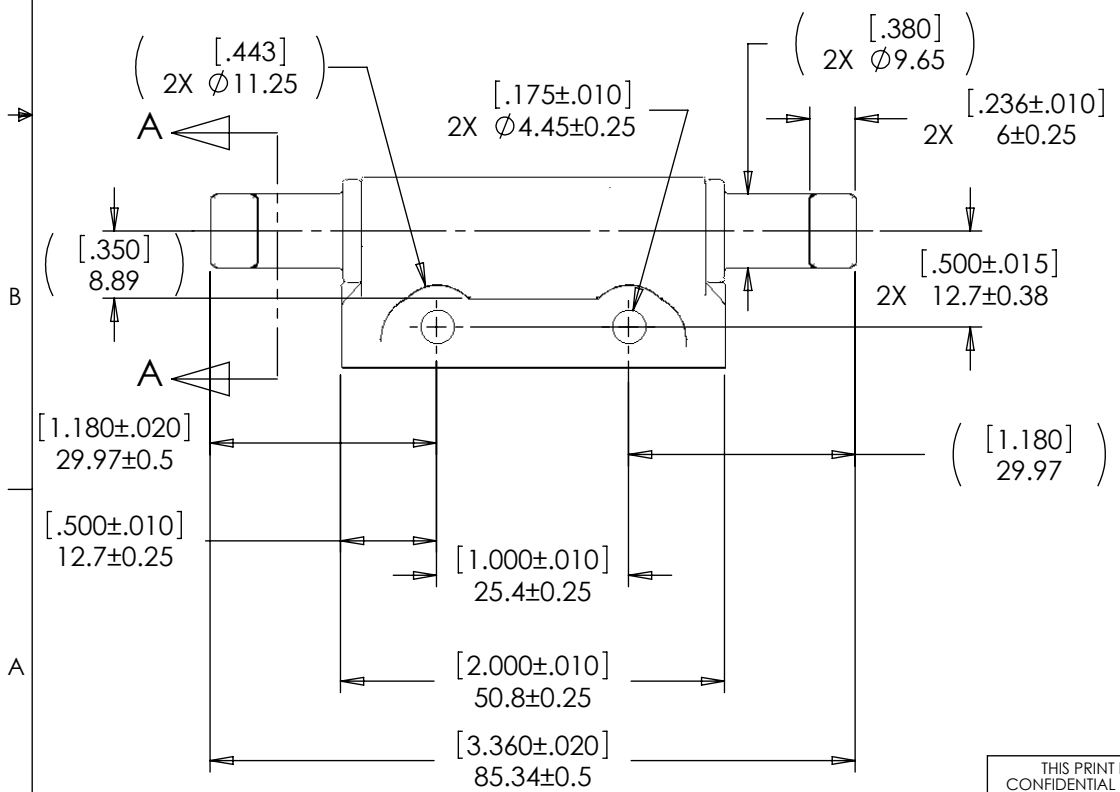
NOTES: 1.

HIGH TORQUE	CCW	CW
	PART NO.	PART NO.
[13.3] Lb-in 1.5 Nm	11-203	11-204
[22.1] Lb-in 2.5 Nm	11-205	11-206
[31] Lb-in 3.5 Nm	11-207	11-208
[39.8] Lb-in 4.5 Nm	11-209	11-210
[44.3] Lb-in 5 Nm	11-201	11-202
[48.7] Lb-in 5.5 Nm	11-211	11-212

- TORQUE LOW IS 65% OF HIGH TORQUE
- TORQUE RANGE PER DIRECTION CONFIGURATION:
 STATIC HIGH TORQUE TOLERANCE $\pm 20\%$
 STATIC LOW TORQUE TOLERANCE $\pm 30\%$
- DYNAMIC TORQUE IS NORMALLY WITHIN 10% OF STATIC TORQUE.
- LIFE: 20,000 CYCLES WHEN DUTY CYCLES IS LESS THAN 10% AND ROTATIONAL SPEED IS LESS THAN 100 RPM. 30 SECONDS MAXIMUM CONTINUOUS ACTUATION.
 - SHAFT END TO BE ORIENTED $90^\circ \pm 5^\circ$ AS SHOWN WITH RESPECT TO DATUM A.
 - USER MUST DETERMINE FITNESS FOR USE IN APPLICATION.
 - DESIGNED TO ACCEPT M4 OR #8 SCREW OR EQUIVALENT.



SECTION A-A



SPECIFICATION SUBJECT TO CHANGE

THIS PRINT IS THE CONFIDENTIAL PROPERTY OF REELL PRECISION MFG.
 THIRD ANGLE PROJECTION

LEVEL	DESCRIPTION	DRAWN	DATE	APPROVED
DRAWN:	DDF	DATE:	4-14-05	REFERENCE: APPL: 11-2XX DESIGNER: TIM JENUM TYPE: SALES DRAWING
CHECKED:	TWJ	DATE:	4-26-05	
APPROVED:	TWJ	DATE:	4-26-05	
REVISED:	11-9-10	DIMS:	[IN]mm	TITLE:
				<p>POSITIONING HINGE 90° DUAL</p>
				<p>PART NO: PHK SERIES</p>
<p>REELL PRECISION MANUFACTURING 1259 WILLOW LAKE BOULEVARD SAINT PAUL, MINNESOTA 55110-5103, USA</p>				<p>REV: G</p>
SCALE: 1:1		DO NOT SCALE DRAWING		SHEET 1 OF 1