

### FEATURES

- RoHS compliant
- Logic translation
- Bi-Directional
- Invert / non-invert
- TTL-CMOS conversion
- Toroidal construction
- Low profile
- 500Vrms isolation
- Backward compatible with Sn/Pb soldering systems

### DESCRIPTION

The 1600 series are quad isolation transformer packs for use in digital circuits. They are particularly suited to isolating microprocessor bus connections and performing logic level translation. Being completely passive, power savings are offered over opto-coupled or emitter follower solutions.

### SELECTION GUIDE

Order Code	Type	Function	Turns Ratio	Max. Pulse Width	Typ. Primary Inductance	Typ. Interwinding Capacitance
				µs	mH	pF
<b>1600C</b>	Quad isolator	5V to 5V logic isolation	1:1	5	3	60
<b>1630C</b>	Quad isolator	5V to 15V logic isolation	1:3	2.6	1	34

### ABSOLUTE MAXIMUM RATINGS

Operating free air temperature range	0°C to 70°C
Storage temperature range	-40°C to 125°C
Isolation voltage (flash tested for 1 second)	500Vrms
Insulation resistance at 500Vdc	>10GΩ

### SOLDERING INFORMATION<sup>2</sup>

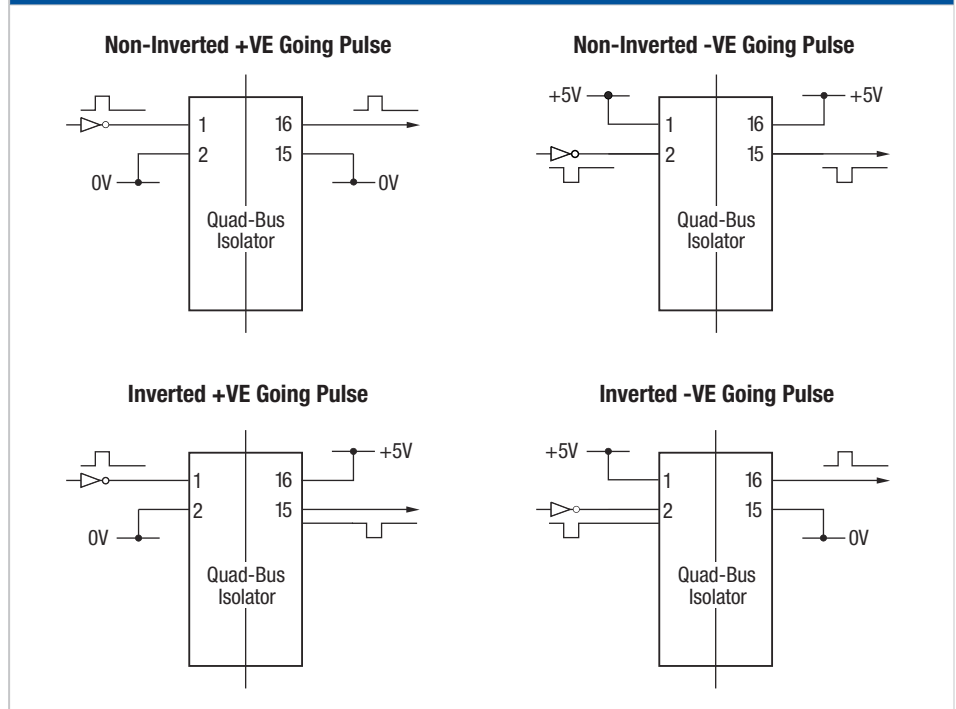
Peak wave solder temperature, 1.5mm from case	300°C for 10 seconds
Pin finish	Matte tin

1 The maximum pulse width limit to be applied to the repetition curve.

2 For further information, please visit [www.murata-ps.com/rohs](http://www.murata-ps.com/rohs)

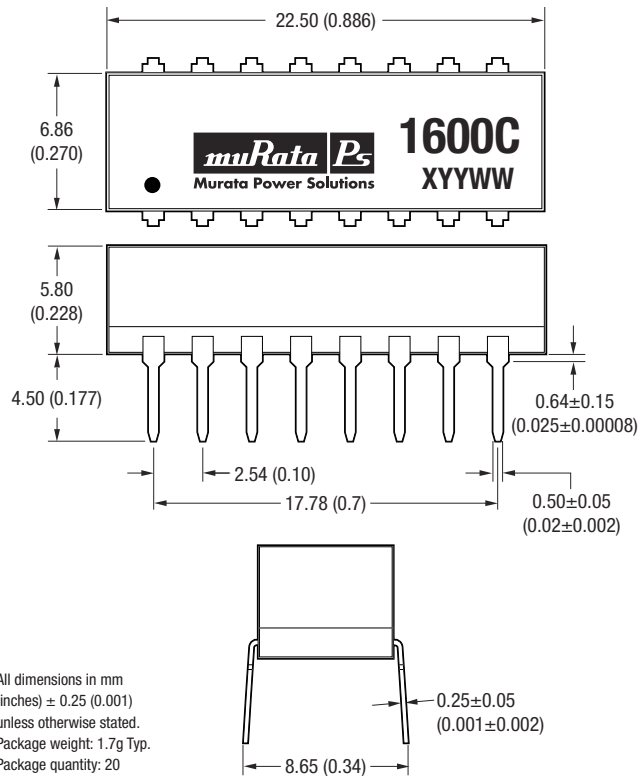
All specifications typical at T<sub>A</sub>=25°C.

### OPERATIONAL CONFIGURATIONS



## PACKAGE SPECIFICATIONS

### MECHANICAL DIMENSIONS



### PIN CONNECTIONS

