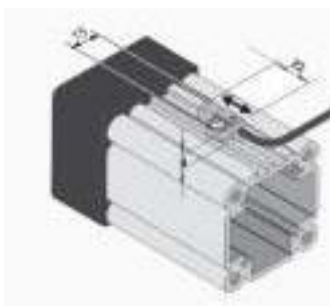


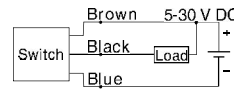
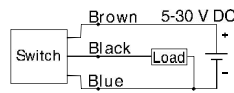
## Home & Limit Switches



All standard Electro-Thrust electric cylinders are equipped with a permanent magnet which is integrated in one of the screw nuts. The cylinder body features two T-grooves on one side (on each side with the ET100) for fitting limit & home sensors. These can be positioned freely along the entire length of the casing. Two different types of switch are available for the ET cylinder range:

### Hall effect sensor

- N.C. or N.O.
- electronic
- LED display
- moderate cost
- long life expectancy



### Reed contact

- N.C.
- mechanical
- LED display
- low cost
- moderate life expectancy

### Hall Effect Sensor

Type	Function	LED colour	Logic	Cable	Switch current	Supply current	Voltage supply	Operating frequency
SMH-1P*	N.O.	Green	PNP	1.5m	max. 150mA	7mA at	5-30 V DC	max. 500 Hz
SMH-1N*	N.O.	Red	NPN			12VDC		
SMC-1P*	N.C.	Yellow	PNP			14mA at		
SMC-1N*	N.C.	White/Red	NPN			24VDC		

\* Add "C" to part number for 150mm cable with connector in place of 1.5m cable, e.g. SMH-1PC

### Reed Contact

Type	Function	LED colour	Cable	Switch Current		Nominal power rating		Voltage supply	Operating frequency
				ohmic load	ind. load	ohmic load	ind. load		
SMR-1	N.O.	Green	1.5m	30-300 mA	30-100 mA	AC/DC 10W	AC/DC 5W		300Hz
SMR-1L	N.O.	Red	1.5m	5-40 mA	5-25 mA	AC/DC 10W	AC/DC 5W	5-30VDC	300Hz
SMD-1L	N.C.	Yellow	1.5m	5-25m	5-25mA	AC/DC 3W			200HZ