

Technical Specification

DX65

DX65 Standard Linear Servo Motor

Parallel Connected Coils

Parameter	Unit	DX65-C2P	DX65-C3P	DX65-C4P	DX65-C5P	DX65-C6P	DX65-C8P	DX65-C10P	DX65-C12P
Continuous Force	N	154	231	308	385	462	616	770	924
Peak Force	N	770	1155	1540	1925	2310	3080	3850	4620
Motor Constant	N/SqRt(W)	17.94	21.97	25.36	28.36	31.06	35.87	40.1	43.93
Force Constant	N/Amp	24.1	36.1	48.1	60.2	72.2	96.3	120.3	144.4
Back EMF Constant	V/m/s	25	37.5	50	62.5	75	100	125	150
Continuous Current	Amps	6.4	6.4	6.4	6.4	6.4	6.4	6.4	6.4
Peak Current	Amps	32	32	32	32	32	32	32	32
Inductance	mH	2.5	3.8	5.0	6.3	7.5	10.0	12.5	15.0
Phase Resistance@25 C °	ohms	1.8	2.7	3.6	4.5	5.4	7.2	9.0	10.8

Series Coils

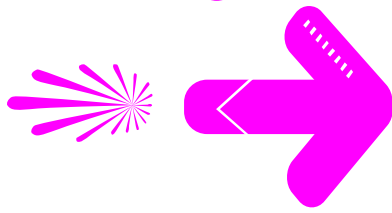
Parameter	Unit	DX65-C2S	DX65-C3S	DX65-C4S	DX65-C5S	DX65-C6S	DX65-C8S	DX65-C10S	DX65-C12S
Continuous Force	N	154	231	308	385	462	616	770	924
Peak Force	N	770	1155	1540	1925	2310	3080	3850	4620
Motor Constant	N/SqRt(W)	17.94	21.97	25.36	28.36	31.06	35.87	40.1	43.93
Force Constant	N/Amp	48.1	72.2	96.3	120.3	144.4	192.5	240.6	288.8
Back EMF Constant	V/m/s	54.8	82.2	109.6	137	164.4	219.2	274	328.8
Continuous Current	Amps	3.2	3.2	3.2	3.2	3.2	3.2	3.2	3.2
Peak Current	Amps	16	16	16	16	16	16	16	16
Inductance	mH	10	15	20	25	30	40	50	60
Phase Resistance@25 C °	ohms	7.2	10.8	14.4	18.0	21.6	28.8	36.0	43.2
Continuous Power	W	73.7	110.6	147.5	184.3	221.2	294.9	368.6	442.4
Peak Power	W	1843	2765	3686	4608	5530	7373	9216	11059
Coil Weight	gm	840	1260	1680	2100	2520	3360	4200	5040
Coil Length (L)	mm	160	220	280	340	400	520	640	760

Notes:

- All coils are built with normally closed thermostat sensor for over temperature protection. Thermistor option is also available.
- Standard cable length = 2 metres. Other length options are available.
- Standard coil comes with digital hall sensor.

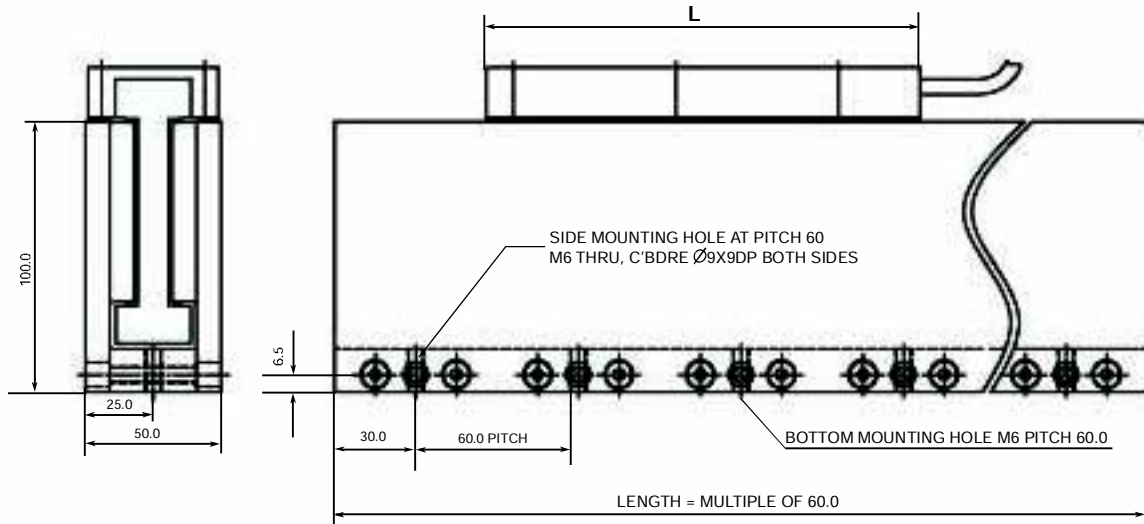
DX65 Standard Magnet Track

- Track length comes in standard length of 300, 600 and 900mm. Custom lengths are available in incremental of 60mm.
- Minimum track length is 240mm.
- Track weight = 1500gm per 60mm.

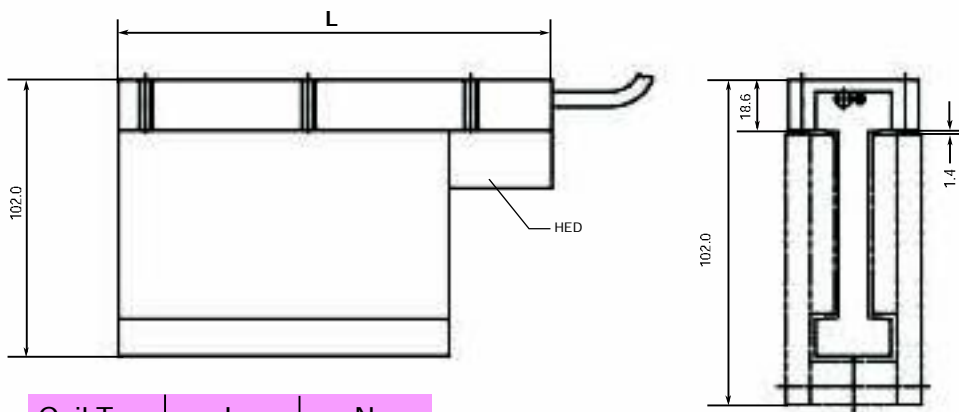
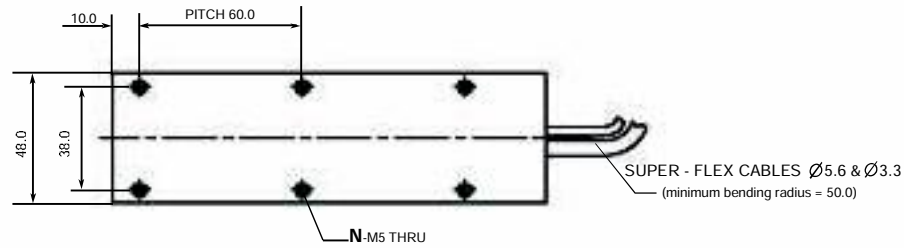


DX65

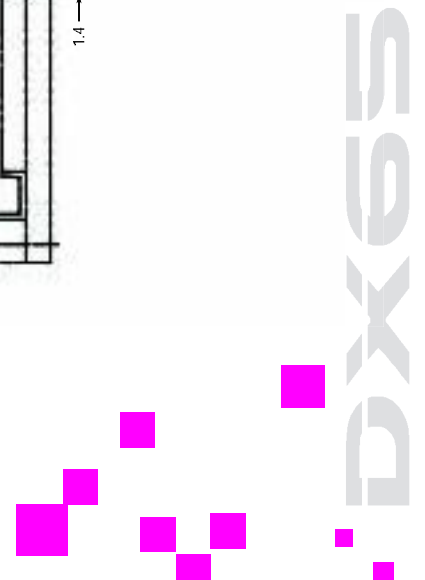
DX65 MAGNET TRACK

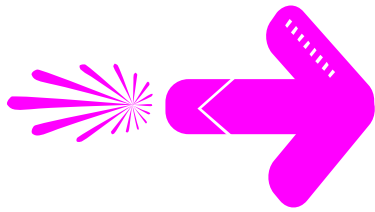


DX65 COIL



Coil Type	L	N
C2	160	6
C3	220	8
C4	280	10
C5	340	12
C6	400	14
C8	520	18
C10	640	22
C12	760	26





DX 65B

Technical Specification

DX B..MODEL

DX 65B

DX65B Standard Linear Servo Motor

Parallel Connected Coils

Parameter	Unit	DX65B-C2P	DX65B-C3P	DX65B-C4P	DX65B-C5P	DX65B-C6P	DX65B-C8P	DX65B-C10	DX65B-C12
Continuous Force	N	154	231	308	385	462	616	770	924
Peak Force	N	770	1155	1540	1925	2310	3080	3850	4620
Motor Constant	N/SqRt(W)	17.94	21.97	25.36	28.36	31.06	35.87	40.1	43.93
Force Constant	N/Amp	24.1	36.1	48.1	60.2	72.2	96.3	120.3	144.4
Back EMF Constant	V/m/s	25	37.5	50	62.5	75	100	125	150
Continuous Current	Amps	6.4	6.4	6.4	6.4	6.4	6.4	6.4	6.4
Peak Current	Amps	32	32	32	32	32	32	32	32
Inductance	mH	2.5	3.8	5.0	6.3	7.5	10.0	12.5	15.0
Phase Resistance@25 C °	ohms	1.8	2.7	3.6	4.5	5.4	7.2	9.0	10.8

Series Coils

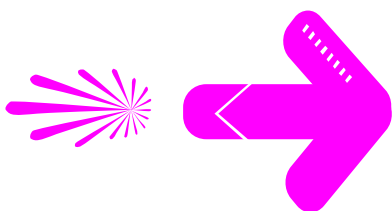
Parameter	Unit	DX65B-C2S	DX65B-C3S	DX65B-C4S	DX65B-C5S	DX65B-C6S	DX65B-C8S	DX65B-C10	DX65B-C12
Continuous Force	N	154	231	308	385	462	616	770	924
Peak Force	N	770	1155	1540	1925	2310	3080	3850	4620
Motor Constant	N/SqRt(W)	17.94	21.97	25.36	28.36	31.06	35.87	40.1	43.93
Force Constant	N/Amp	48.1	72.2	96.3	120.3	144.4	192.5	240.6	288.8
Back EMF Constant	V/m/s	54.8	82.2	109.6	137	164.4	219.2	274	328.8
Continuous Current	Amps	3.2	3.2	3.2	3.2	3.2	3.2	3.2	3.2
Peak Current	Amps	16	16	16	16	16	16	16	16
Inductance	mH	10	15	20	25	30	40	50	60
Phase Resistance@25 C °	ohms	7.2	10.8	14.4	18.0	21.6	28.8	36.0	43.2
Continuous Power	W	73.7	110.6	147.5	184.3	221.2	294.9	368.6	442.4
Peak Power	W	1843	2765	3686	4608	5530	7373	9216	11059
Coil Weight	gm	790	1210	1630	2050	2470	3310	4150	4740
Coil Length (L)	mm	121	181	241	301	361	481	601	721

Notes:

- All coils are built with normally closed thermostat sensor for over temperature protection. Thermistor option is also available.
- Standard cable length = 2 metres. Other length options are available.
- Standard coil comes with digital hall sensor.

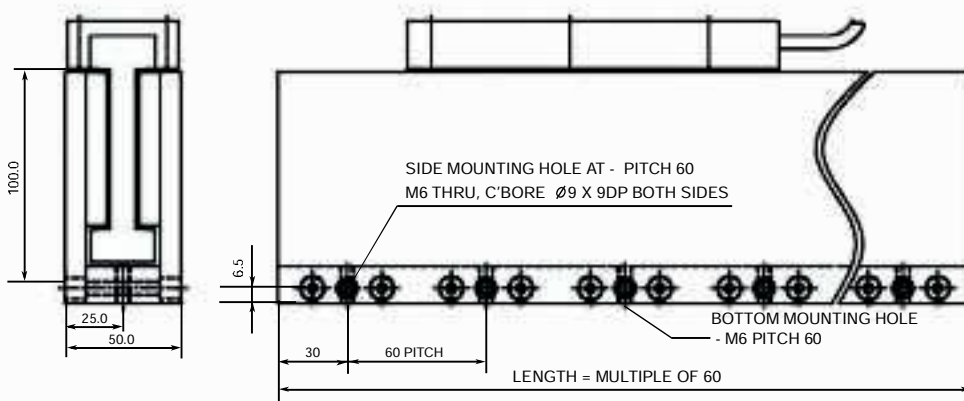
DX65B Standard Magnet Track

- Track length comes in standard length of 300, 600 and 900mm. Custom lengths are available in incremental of 30mm.
- Minimum track length is 240mm.
- Track weight = 1500gm per 60mm.

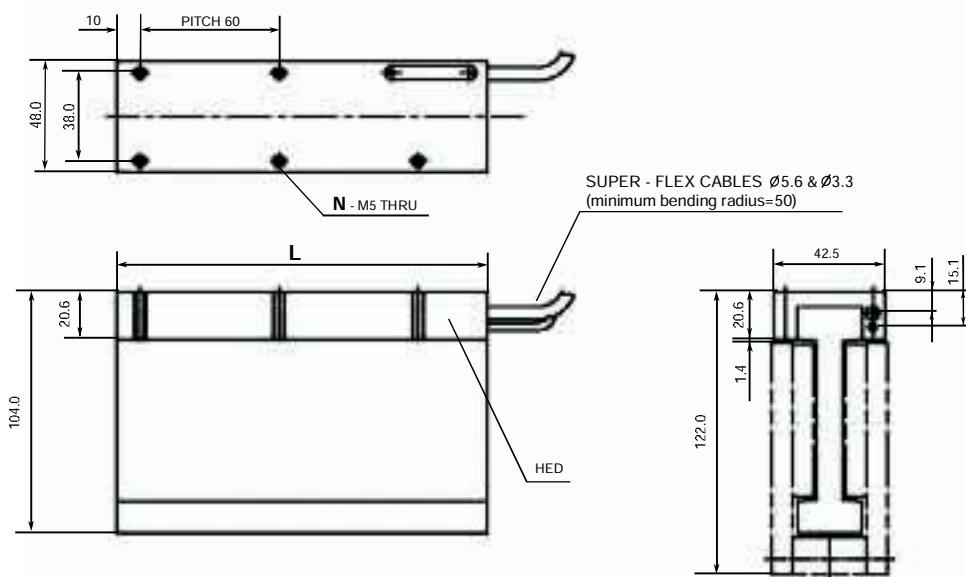


DX 65B

DX 65B MAGNET TRACK



DX 65B COIL



Coil Type	L	N
C2	121	3
C3	181	5
C4	241	7
C5	301	9
C6	361	11
C8	481	15
C10	601	19
C12	721	23