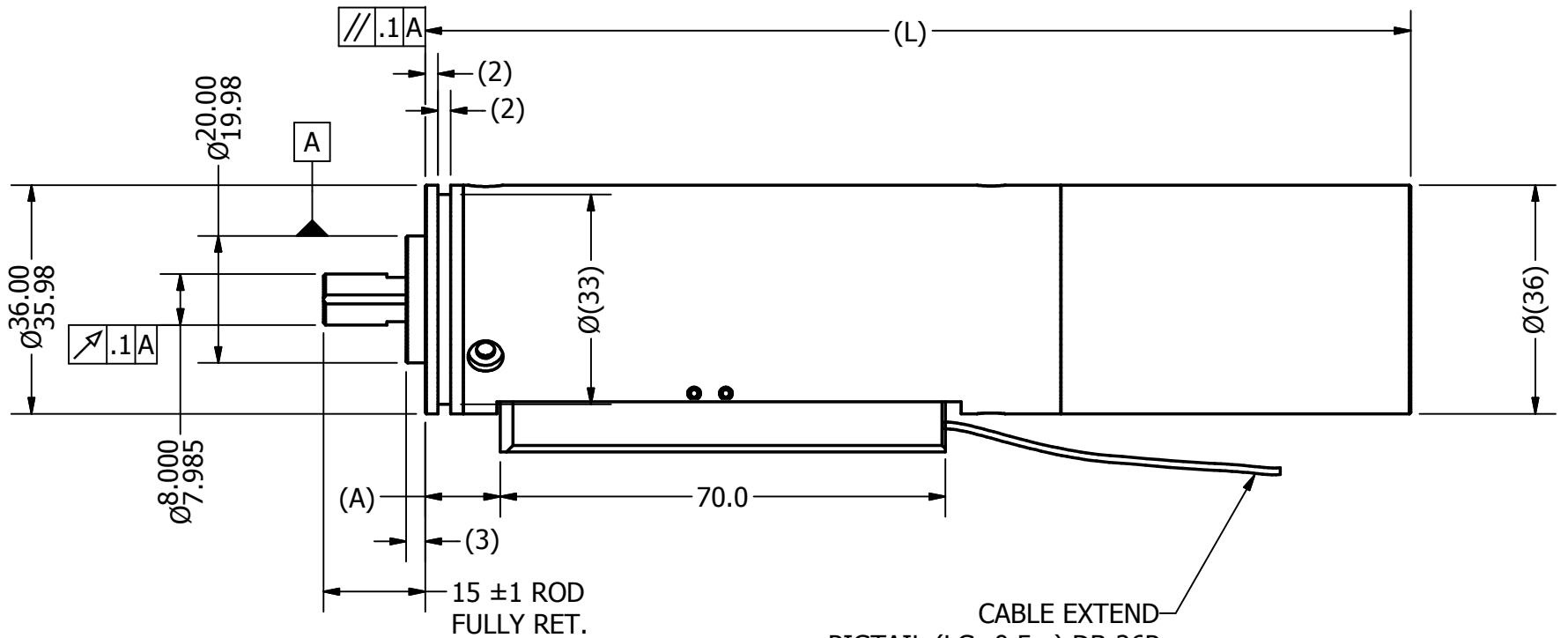
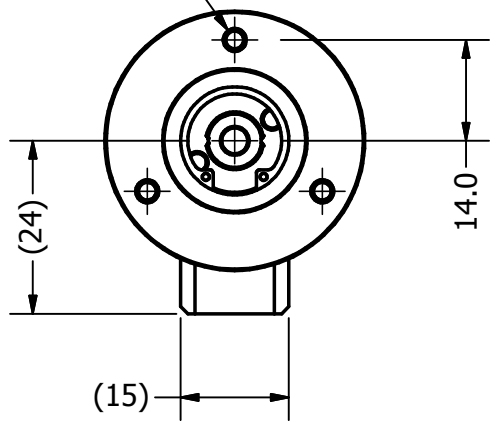


NOTES (UNLESS OTHERWISE SPECIFIED)
 1. ALL DIMENSIONS ARE IN mm UNLESS OTHERWISE NOTED.
 2. OPERATING TEMPERATURE: 0°C TO 65°C.

REVISION HISTORY				
REV	DATE	ECN	DESCRIPTION	APPROVED
B.5	08/14/2009		RELEASE	TOAN VU

3X-M3x0.5 - 6H ∇ 6.0
 ON A \varnothing 28.0 B.C.
 120° APART



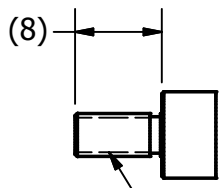
CABLE EXTEND
 PIGTAIL (LG=0.5m) DB-26P
 FLYING LEAD (LG=3m) DB-15P

DB 26P PINOUT

1	(AXIS 1) PH. A+
2	(AXIS 1) PH. B+
3	(AXIS 1) PH. Z+
4	NC
5	NC
6	I/O RTN
7	NC
8	NC
9	NC
10	(AXIS 1) PH. A-
11	(AXIS 1) PH. B-
12	(AXIS 1) PH. Z-
13	NC
14	NC
15	NC
16	NC
17	NC
18	NC
19	+5VDC
20	5V RTN
21	(AXIS 1) COIL +
22	(AXIS 1) COIL +
23	(AXIS 1) COIL -
24	(AXIS 1) COIL -
25	NC
26	NC



M4x0.7 - 6H ∇ 8.0



M4x0.7 - 6g

DETAIL	
PIN No	FUNCTION
1	PH. A+
2	PH. Z+
3	PH. B+
4	+5V
5	NC
6	NC
7	NC
8	NC
9	PH. A-
10	PH. Z-
11	PH. B-
12	5V RTN

DETAIL					
No	Descriptions	UNIT	CAL36-015-5	CAL36-025-5	CAL36-050-5
5	LINEAR STROKE	mm	15	25	50
1	PEAK FORCE	N	18	15	12
2	FORCE CONSTANT	N/A	18	15	12
3	ENCODER RESOLUTION	um	20,5,1,0.5,0.1,0.05	20,5,1,0.5,0.1,0.05	20,5,1,0.5,0.1,0.05
4	ENCODER REPEATABILITY	counts	4	4	4
6	MAXIMUM CURRENT	Amp	1	1	1
7	COIL RESISTANCE	Ohm	27	27	27
8	MOVING MASS	kg	0.080	0.080	0.095
9	TOTAL MASS	kg	0.800	0.950	1.150
10	DIMENSION (L)	mm	145	155	230
11	DIMENSION (A)	mm	13	13	35

TOLERANCES ARE:	
X.	± 0.50
X.X	± 0.1
X.XX	± 0.05
X.XXX	±
ANGULARITY	± 0.1°
CONCENTRIC	± 0.01
ROUNDNESS	± 0.05
EDGE BREAK	0.02 MAX
CHAMFER	0.03 MAX
FILE NAME:	
CAL36-XXX-5.revB.5.idw	

MATERIAL:				REF. NUMBER			
<p style="text-align: center; font-size: 2em; font-weight: bold;">SMAC</p>				CAL36			
				DESIGNED BY: toanvu	DATE: 8/5/2009	CHECKED BY:	DATE:
HEAT TREATMENT:				DRAWN BY: toanvu	DATE: 5/7/2009	APPROVED BY:	DATE:
MACHINE FINISH: 3.2/				PART NAME: CAL36-XXX-5		SHEET NUMBER: 1 OF 1	
EXCEPT NOTED PROTECTIVE FINISH: NONE				SCALE: NONE	DWG SIZE: B	PART NUMBER: CAL36-025-V2-P1	REVISION: B.5
SPEC. NUMBER: NONE				DO NOT SCALE DWG			