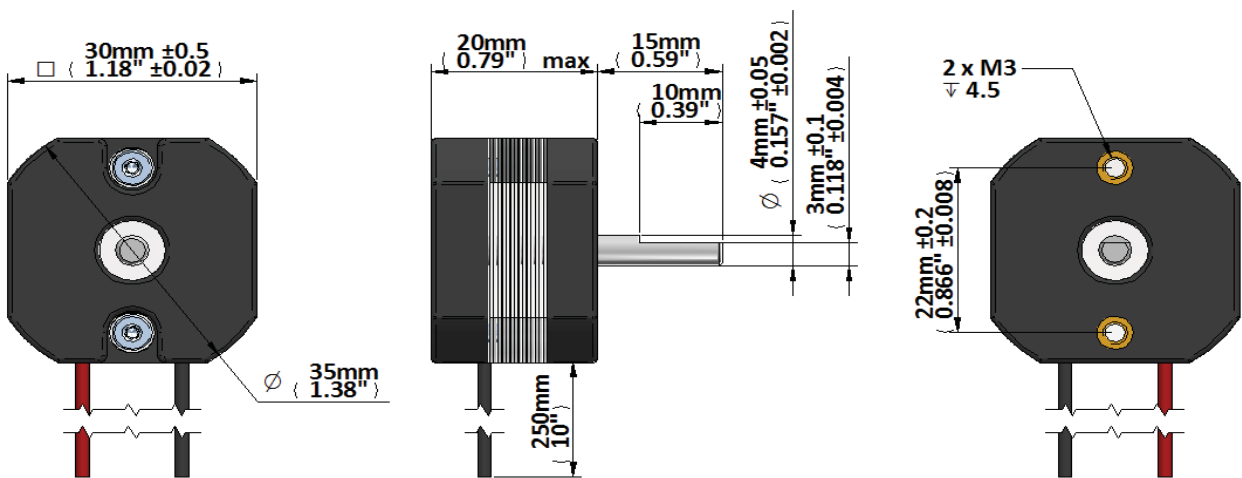




GEEPLUS

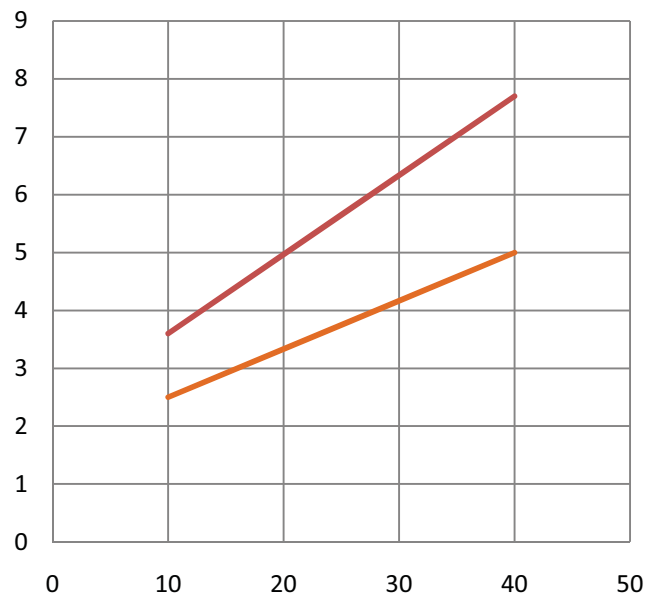
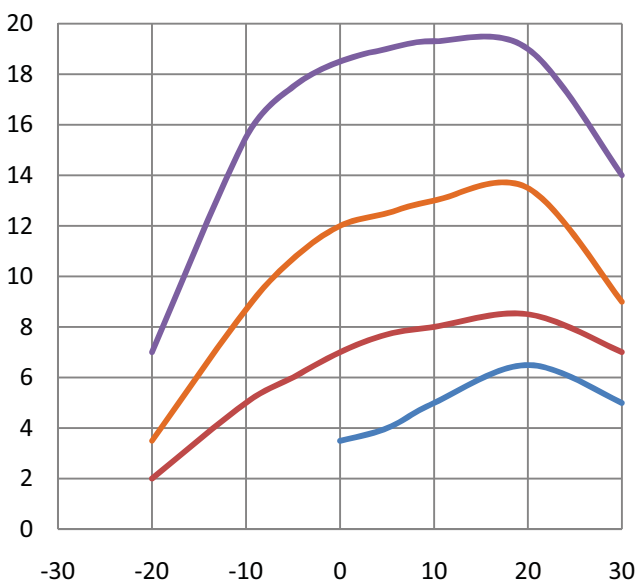
RM301-4P

Device drawn with shaft aligned to mid position
 Suffix 06, 12, 24 for operation at 6v, 12v, 24v, 100%ED
 Rotor Inertia 2.1 gcm²
 Life Expectancy >10M cycles, no load, 60° rotation
 Mass 62 grammes
 Insulation Resistance >50MΩ, 500VDC Megger
 Dielectric Strength 500vAC, 50/60Hz, 1 minute
 Class E (120°C) insulation class



Torque (mNm) vs Angle

Response (ms) vs Angle



— De-Energised — 4W (100% ED)
 — 8W (50% ED) — 16W (25% ED)

— 4W, No Load — 16W, No Load
 - - 380mA, 5v, 10gcm² - - 900mA, 12v, 10gcm²

Geeplus reserves the right to change specifications without notice

www.geeplus.biz e-mail: info@geeplus.biz