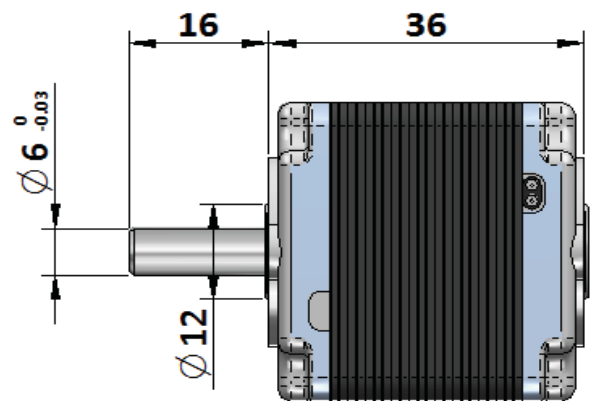
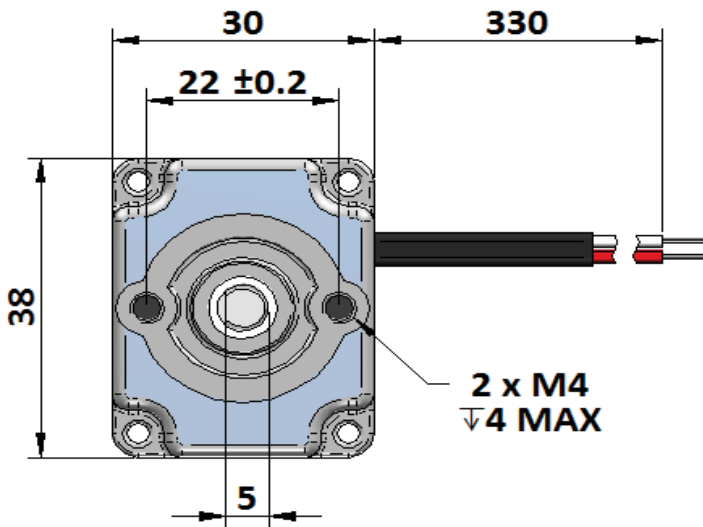
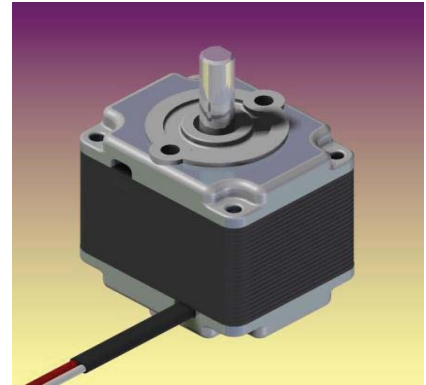




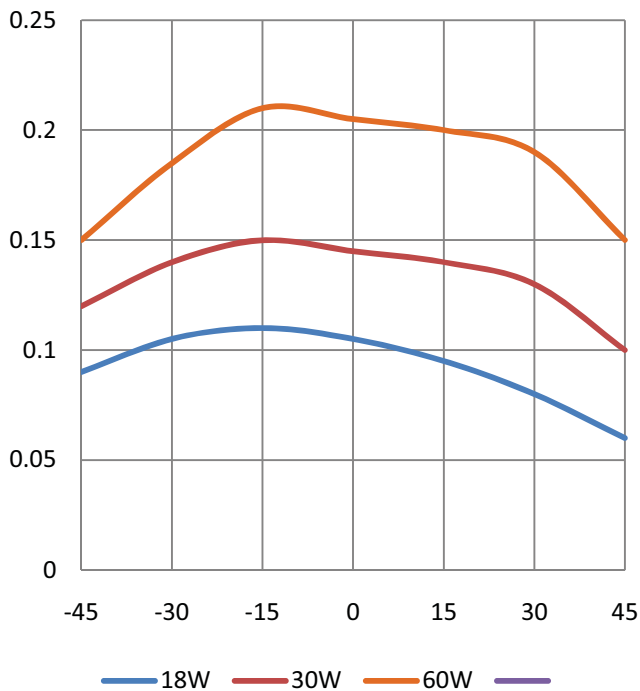
GEEPLUS

BRS3836-6

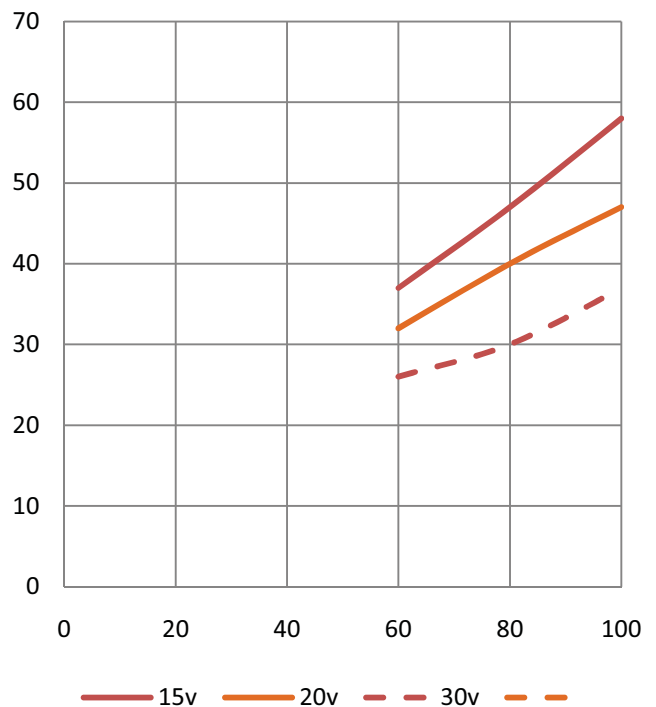
Device drawn with shaft aligned to mid position
Nominal 6Ω , 5mH for operation at 24v , $10\%ED$
Rotor Inertia ? gcm^2
Life Expectancy $>10\text{M}$ cycles, no load, 30° rotation
Turns CW from position shown, +ve applied to Red lead
Leadwires AWG24 stranded leads
Mass 190 grammes



Torque (Nm) vs Angle



Response (ms) vs Angle



Geeplus reserves the right to change specifications without notice

www.geeplus.biz e-mail: info@geeplus.biz