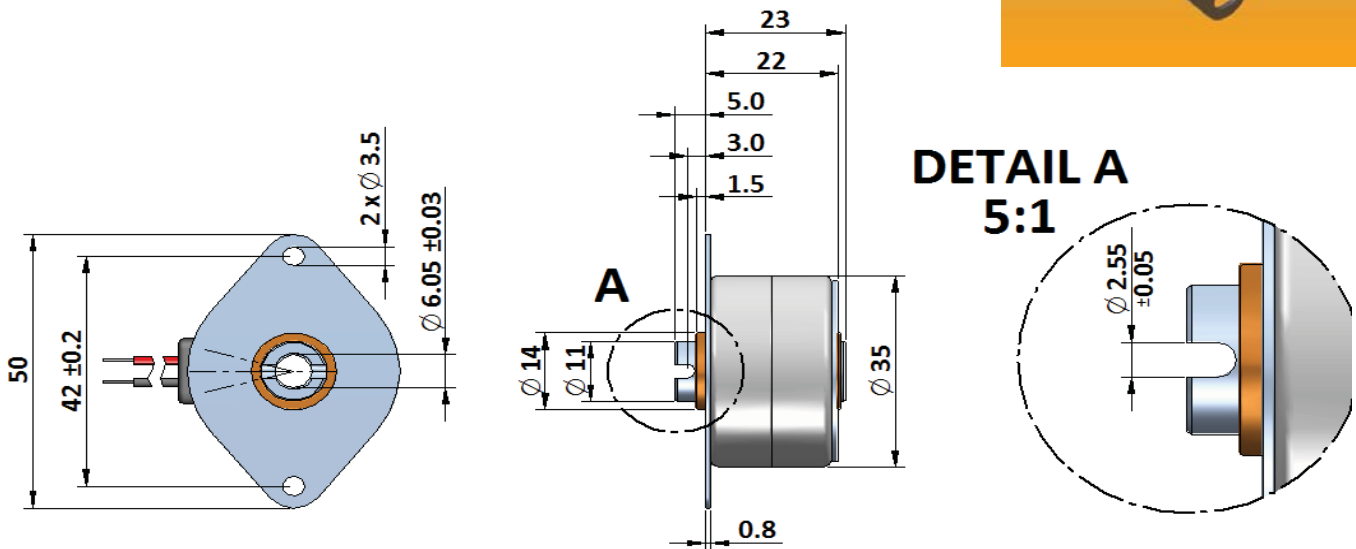
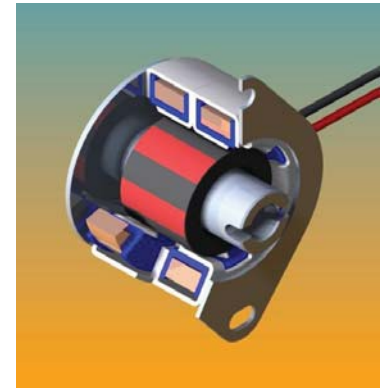




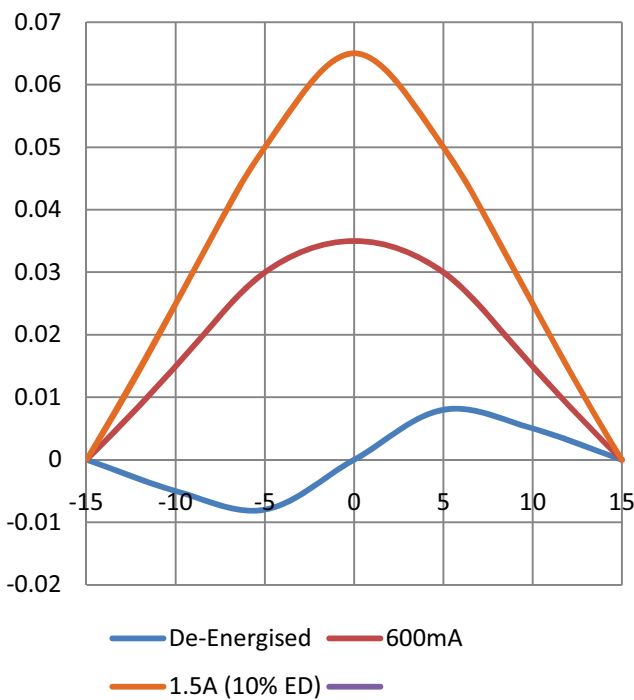
GEEPLUS

BRS3522-6-12

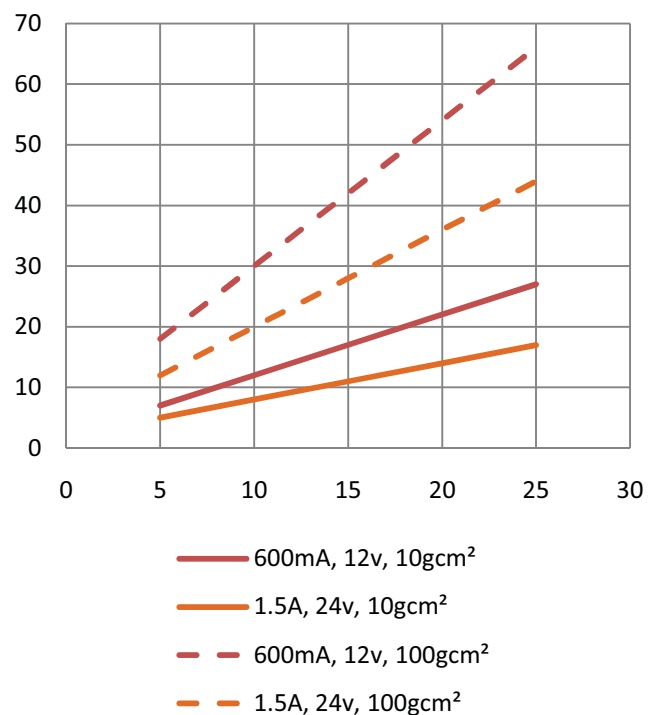
Device drawn with shaft aligned to mid position
 Nominal 12Ω, 1.5mH for operation at 600mA, 50%ED
 Rotor Inertia 9 gcm²
 Life Expectancy >20M cycles, no load, 20° rotation
 Turns CW from position shown, +ve applied to Red lead
 Leadwires 300mm, UL1015, AWG24 stranded leads
 Mass 90 grammes



Torque (Nm) vs Angle



Response (ms) vs Angle



Geeplus reserves the right to change specifications without notice

www.geeplus.biz e-mail: info@geeplus.biz